



ReefMat[®] 250

User Manual

ENG | DE | FR

 Red Sea

ReefMat® 250

Smart- Plug & Play®- Efficient

User Manual



Contents

Introduction.....	5
ReefMat Components.....	6
Safety	7
Overview.....	8
Features of the ReefMat smart fleece-mat roller filter.....	8
Benefits of roller filters over static mechanical filters.....	9
Preparations before installing the ReefMat roller filter.....	9
Installation of the ReefMat.....	12
LED Indicators.....	15
Settings Button - Function.....	16
Wind / Unwind Buttons.....	16
Connection and initial Setup.....	17
Inserting a new fleece-mat roll.....	17
Activating a new fleece-mat roll.....	21
Operation.....	22
Other Settings.....	24
ReefMat Data.....	25
Partial Roll.....	26
Removing used fleece-mat from the Take-up shaft.....	26
Device Maintenance.....	27
Troubleshooting.....	28
Warranty.....	30

Introduction

Congratulations on your purchase of Red Sea's ReefMat®.

The ReefMat is a plug & play, fully automated, smart fleece roller filter that keeps your aquarium water crystal clear for weeks at a time. Designed with the hobbyist in mind, the ReefMat features an easy fleece-mat replacement system that allows you to switch rolls without having to remove the filter from the sump or turn off the pumps.

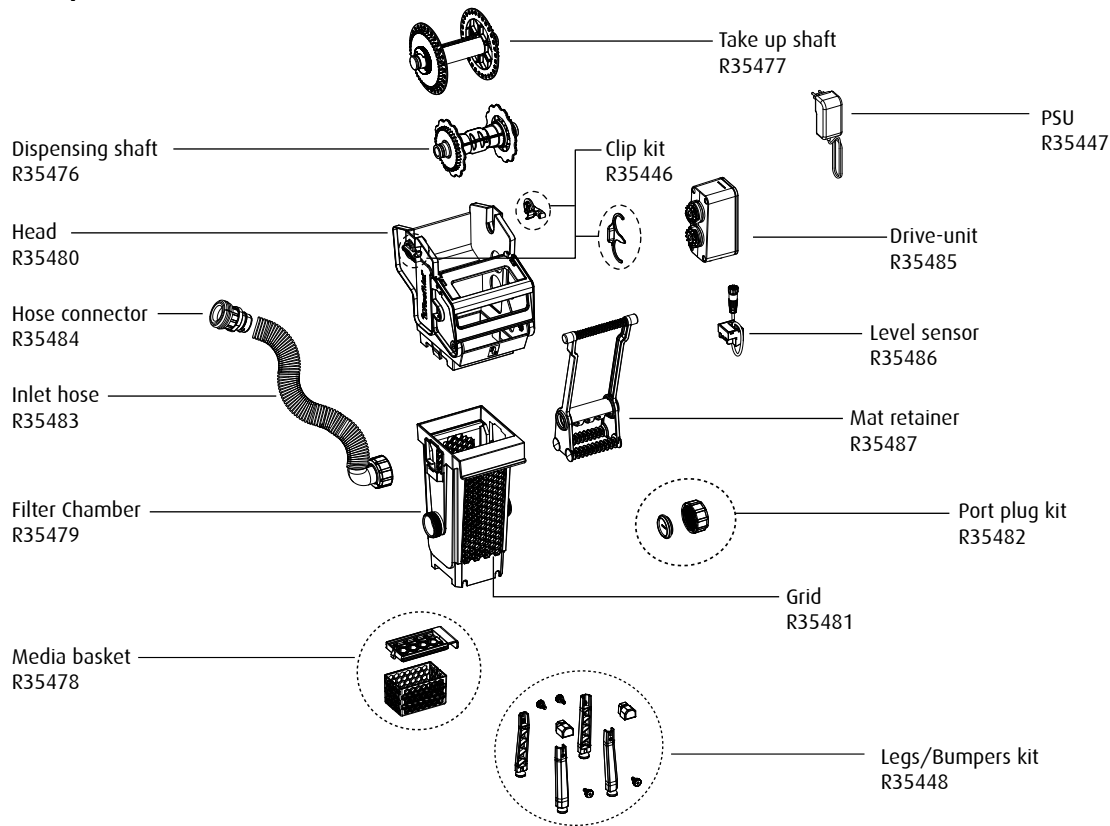
ReefMat includes a smart drive unit that controls and monitors the exact length of fleece-mat that is used as well as many other unique features.

ReefMat is part of Red Sea's suite of smart devices that are operated via Wi-Fi by Red Sea's ReefBeat® App, which needs to be installed on a smart mobile device with internet connectivity.

Welcome to Red Sea's smart reef-keeping.

Sincerely,
The Red Sea Team

ReefMat Components



Safety

PLEASE READ AND FOLLOW ALL SAFETY INSTRUCTIONS.

THIS DEVICE IS INTENDED FOR HOUSEHOLD AND INDOOR USE ONLY.

DANGER: To avoid possible electric shock, special care should be taken when handling a wet aquarium. For each of the following situations, do not attempt repairs yourself; return the appliance to an authorized service facility for service or discard the appliance.

WARNING: To guard against injury, basic safety precautions should be observed, including the following:

Do not operate any appliance if it has a damaged cord or plug, if it is malfunctioning, or if it is dropped or damaged in any manner.

This appliance can be used by children aged from 8 years and above and persons with reduced physical, sensory or mental capabilities or lack of experience and knowledge if they have been given supervision or instruction concerning use of the appliance in a safe way and understand the hazards involved. Children shall not play with the appliance.

Cleaning and user maintenance shall not be made by children without supervision.

The appliance is only to be used with the power supply unit provided with the appliance.

Close supervision is necessary when any appliance is used by or near children.

To avoid injury, do not contact moving parts.

Always unplug an appliance from an outlet when not in use, before

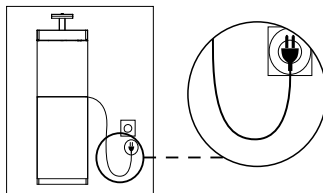


Figure 1: Drip Loop

putting on or taking off parts, and before cleaning. Never pull the cord itself to remove the plug from the outlet. Grasp the plug and pull to disconnect.

Do not use an appliance for anything other than its intended use.

The use of attachments not recommended or sold by the appliance manufacturer may cause unsafe conditions.

Do not install or store the appliance where it will be exposed to the weather or to temperatures below freezing point.

Make sure an appliance is securely installed before operating it.

Read and observe all the important notices on the appliance.

Note: A cord rated for less amperes or watts than the appliance rating may overheat. Care should be taken to arrange the cord so that it cannot be tripped over or pulled accidentally.

Do not use if cord is damaged. In case of need, do not attempt to replace or repair yourself; return the appliance to an authorized service facility for service or discard the appliance.

Rating info:

Operating Temperature: 5 to 45°C

Relative Humidity: 15~85%RH

Supply voltage: 100-240V 50/60Hz

Rating: 1A, @10W Max.

Operating Voltage 12 Vdc

Operating Frequency: 2402 - 2480 MHz

Max. Power: 32.43 mW

Overview

The ReefMat is a mechanical filter that removes particulate matter from aquarium water by passing the water through a fleece filter material (fleece-mat) that physically traps the particles that are larger than the mesh of the filter material.

The ReefMat is designed to be located under an aquarium inside the sump and is either gravity fed with water directly from the aquarium or by a dedicated pump that is also located in the sump.

The fleece-mat is supplied in the form of a continuous roll that passes over a series of filter grids inside the filter chamber.

The ReefMat filter chamber is open at the bottom and when the fleece-mat is new the water level inside the chamber will be at the same level as the water in the sump. As the fleece-mat traps more and more waste particles, the water level inside the filter chamber slowly rises.

A water level sensor that is located near the top of the filter body detects the rising water level and at a predefined point will trigger an automatic advancement of the fleece-mat thereby introducing a preset length of clean material, reducing the water level inside unit. This process continues automatically for the full length of the roll which then needs to be replaced.

Features of the ReefMat smart fleece-mat roller filter

Designed with the hobbyist in mind, the ReefMat features an easy mat replacement system that allows rolls to be replaced without having to remove the filter from the sump or even turn off the pumps.

ReefMat includes a dual, solid-state water level sensor and an unprecedented smart drive unit that drives, controls and monitors the exact length of mat that is used. ReefMat is Wi-Fi connected to Red Sea's ReefBeat smart aquarium eco-system and will give you a head's up a few days before the fleece-mat needs replacing or let you know if it needs your attention. The system provides you with a daily and hourly usage log so that you can monitor the performance of your current roll and even keeps track of your previous rolls.

The patent-pending drive-unit, drives the used material take-up shaft while recording the rotation of the new material dispensing shaft. This arrangement enables the unit to immediately turn off the motor if it identifies that the fleece-mat has become blocked or torn as well as sending a notification to the ReefBeat App.

The dual water level sensor is mounted at the top of the filter chamber with one sensor inside the chamber and one outside. The internal sensor is for the regular operation of the ReefMat while the external sensor will detect if there is a high-water level in the sump (such as when the main return pump is off) and prevent continuous dispensing of new fleece-mat.

The built-in media basket at the ReefMat outlet will improve the performance of all filtration media by ensuring only pre-filtered water flows through them.

Benefits of roller filters over static mechanical filters

Static mechanical filters such as micron socks, floss, pads etc. do a good job of trapping filter particles. However until these static filters are removed and washed, the trapped particles remain in the water and gradually decompose adding nutrients (nitrate and phosphate) to the system. Using a correctly rated roller filter will physically remove all collected particles within about a day, significantly reducing their decomposition. Due to the efficiency of the ReefMat, especially with carbon in the built-in media basket, you may well notice a drop in nutrient levels shortly after it is added to an established aquarium.

Red Sea systems

If you are retrofitting the ReefMat to a Red Sea REEFER or MAX aquarium system, check out the recommended installation options on the web-site:

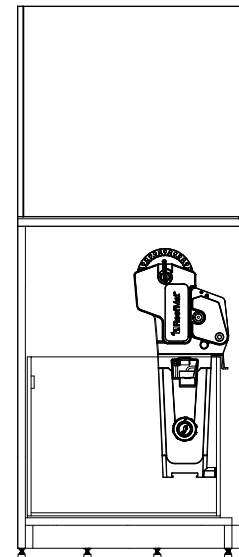
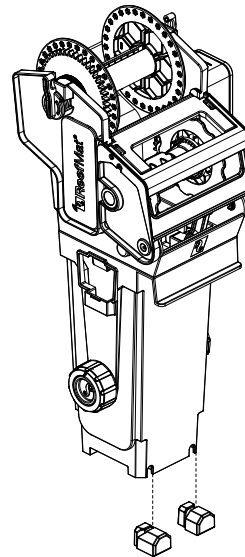
<https://www.redseafish.com/reefmat-installation-options>



Preparations before installing the ReefMat roller filter

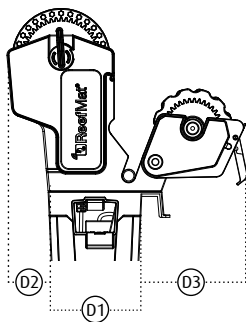
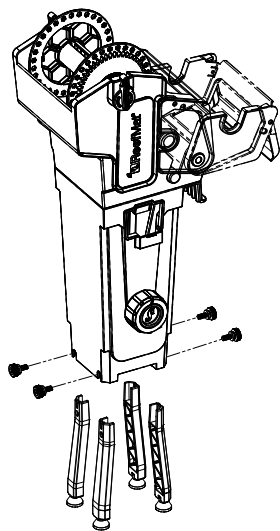
Hang-on Installation

For ease of maintenance, it is recommended to hang the ReefMat on the front wall of the sump. For this installation insert the rubber spacers to the bottom front of the filter chamber.



Freestanding Installation

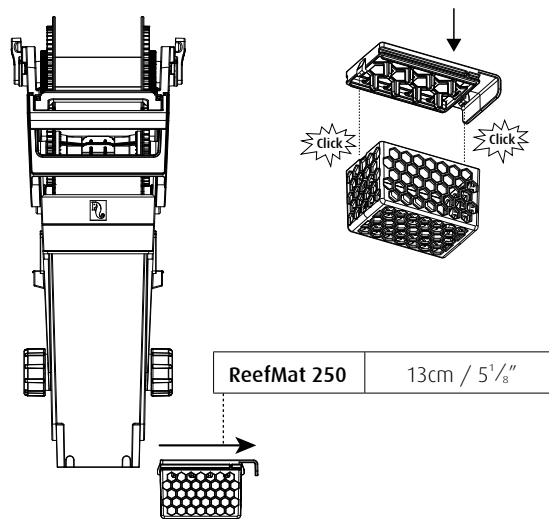
Attach the 4 legs to the bottom of the filter chamber and make sure that there is enough room in front of the ReefMat to fully open the front flap.



	ReefMat 250
D1	11.5cm / 4 ¹⁷ / ₃₂ "
D2	5cm / 1 ³¹ / ₃₂ "
D3	13cm / 5 ¹ / ₈ "

Media Basket

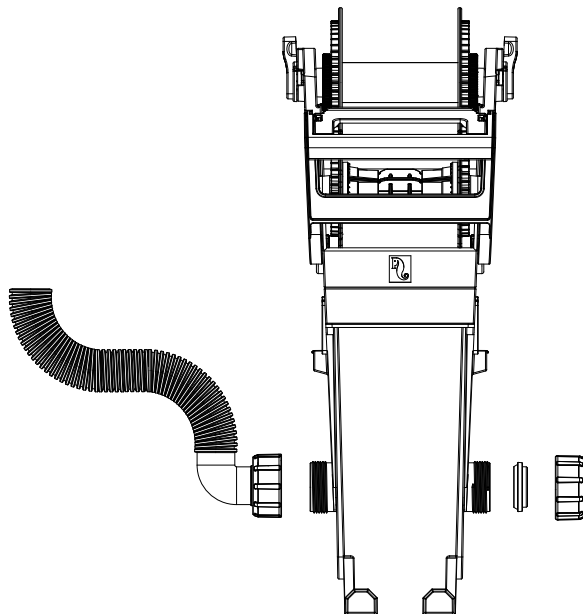
If you plan on using the media basket, make sure that there is enough room to slide the basket completely out from one side of the filter chamber.



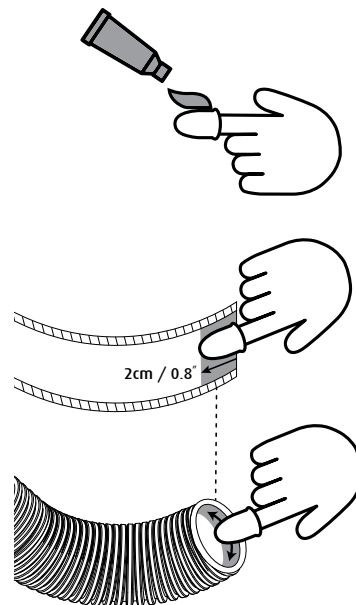
ReefMat 250	13cm / 5 ¹ / ₈ "
-------------	--

Inlet Hose

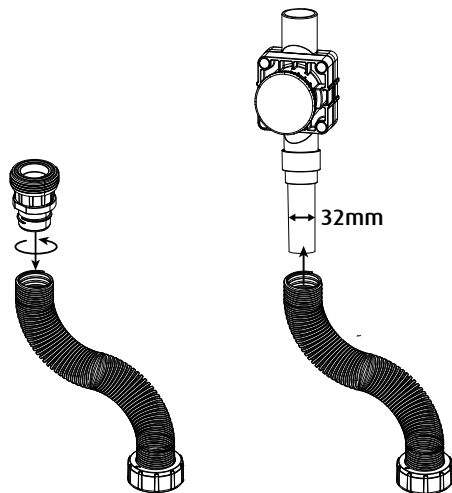
The kink-resistant corrugated inlet hose is supplied with one end ready for connection to one of the inlet ports that are on either side of the filter chamber.



Cut the free end of the hose to the required length according to your installation. Using the finger-cover provided, spread a small amount of the liquid sealant on the first 2cm / 0.8" of the internal surface of the hose and screw in the hose connector until it is tight. Remove the excess sealant from inside the hose.



Note: This part has a left-hand thread. The pipe can be used before the sealant is dry. The other side of the universal connector can be glued to standard 32mm or 1" PVC piping.

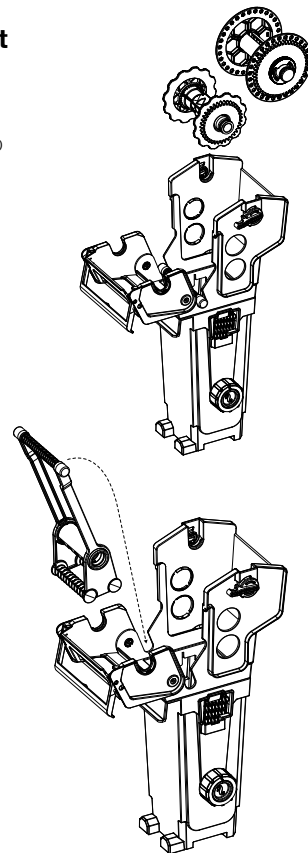


Alternatively, the free end of the corrugated hose can also be attached directly to standard 32mm diameter PVC tubing as used in most Red Sea Reefer series systems. This join is not under any water pressure, however it is advisable to use the liquid sealant and secure the corrugated hose in place with a cable tie.

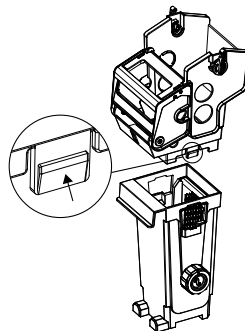
Installation of the ReefMat

Rotate the Take-up Shaft Locks to the open position and remove the take up shaft from the ReefMat Head. Unlock the front flap by raising the handle and rotate the flap forwards to its horizontal position and remove the dispensing shaft.

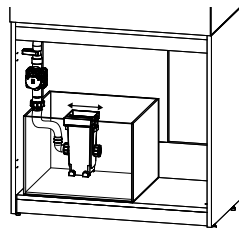
Raise the mat-retainer fully out of the filter chamber, close the flap and lock in position by lowering the handle.



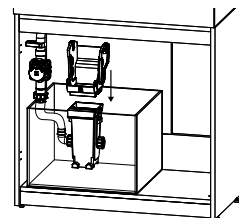
Remove the ReefMat Head from the Filter Chamber by pressing on the side latches while lifting it up.



Place the filter chamber into the chosen location inside the sump and connect the inlet hose to the inlet port on either the left or right side of the filter chamber.

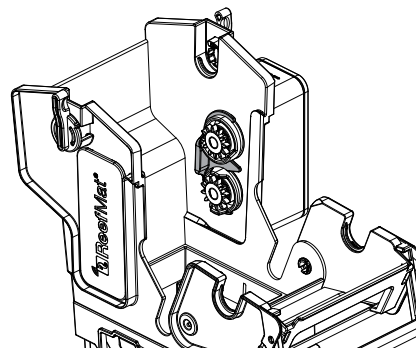
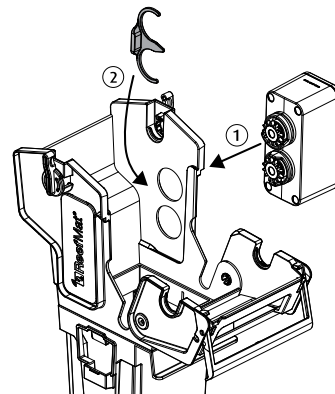


Make sure that the filter grid is in position inside the chamber and click the ReefMat Head unit into place.

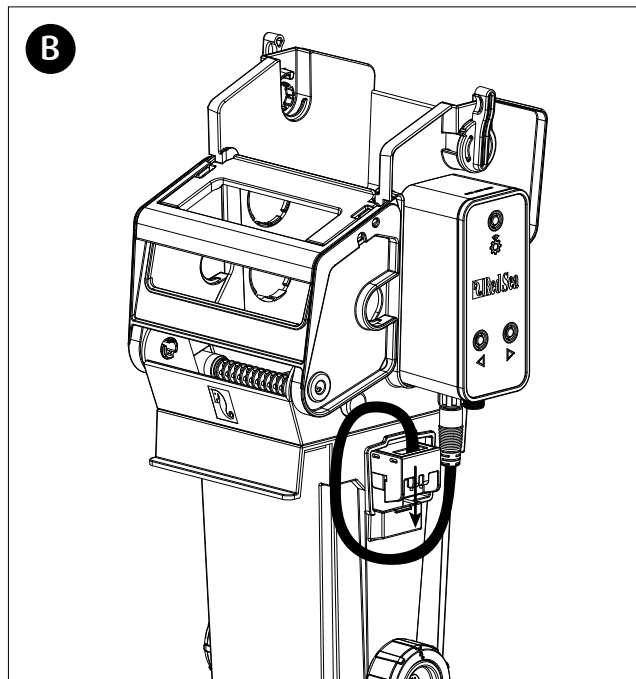
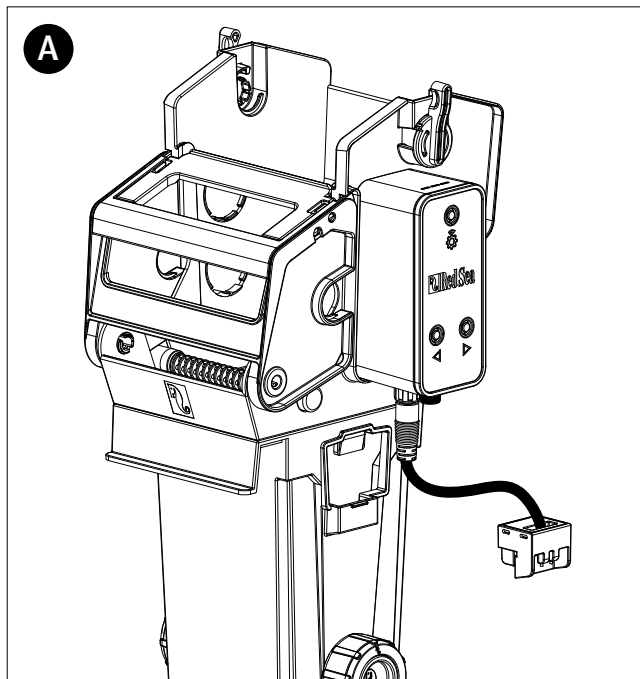


Connect the DC power-supply to the 2-pin power inlet port at the bottom of the drive-unit. Connect the water level sensor to the 4-pin inlet port at the bottom of the drive-unit.

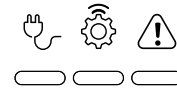
Mount the drive-unit on either the left or right side of the ReefMat Head and secure it in position with the clip provided. Make sure that you have enough room by the side of the drive-unit to operate the Wi-Fi setting and Wind/Unwind buttons.



Mount the level sensor to its operating position on the filter chamber.



LED Indicators


ENG

Thread the power-supply out the rear of the cabinet and insert it into the wall outlet or other suitable power center. Check that the indicator LED on top of the drive-unit is on.

Onboard the drive-unit to the ReefBeat App and complete the initial setup before installing the fleece-mat.



Power Indicator:

- Solid Red light – DC power is available.
- No Red light – DC power is not available.



Settings Indicator:

- Solid Red light – ReefMat is connected to the Home network.
- Blinking Red light – ReefMat is in Wi-Fi Access Point (AP) mode (can be discovered by Wi-Fi devices).
- No Red light – ReefMat Wi-Fi is off.
- Double blink – indicates change of status / end of process.



Status Indicator:

- No Red light – ReefMat is operating normally.
- Blinking Red light – indicates that the Auto-Advance mode has been suspended for one of the following conditions: High-Water, Level sensor disconnected, Jammed-Mat, End-of Roll. **Simultaneous pressing of the wind/unwind buttons resets the ReefMat to Auto-Advance mode.**

Settings Button - Function

If indicator LED is off (ReefMat Wi-Fi is off): Pressing button for 5 seconds (until double blink) activates Wi-Fi AP mode.

If indicator LED is blinking (ReefMat Wi-Fi is in AP mode): Pressing button for 5 seconds (until double blink) switches Wi-Fi off.

If indicator LED is on (ReefMat Wi-Fi is connected to a Wi-Fi network): Pressing button for 5 seconds (until double blink) disconnects the ReefMat from the network and switches it to Wi-Fi AP mode.

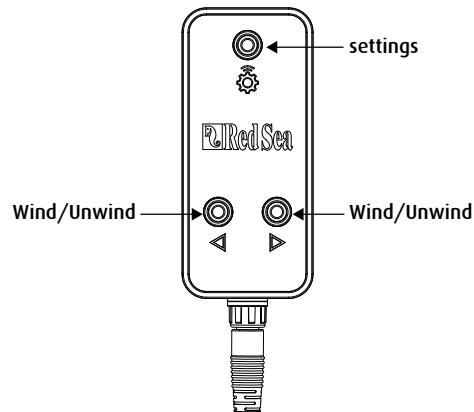
(Note: before disconnecting a ReefMat from a network, delete the ReefMat from the ReefBeat App via the Device Manager.)
Note: All settings are retained and can be restored when reconnected to the ReefBeat.

Clear Settings: Pressing the button for 15 seconds (until double blink) deletes all user settings and switches off the Wi-Fi. Complete the reset process by disconnecting and reconnecting the DC power.

Wind / Unwind Buttons

Pressing the button at the rear of the drive unit will manually advance material from the dispensing roll and wind (▷) it on to the take-up roll. Pressing the button at the front of the drive unit (◁) will manually dispense used material from the take-up roll however it is not automatically wound back to the dispensing roll. This action is primarily to release the tension on the take-up roll so that it can be easily removed from its normal operating position.

Note: The direction of rotation of the wind/unwind buttons are set when selecting the right/left installation of the drive-unit. The default setting is for right side installation where the buttons will work correctly even before onboarding to ReefBeat. For left side installation the buttons will work in the opposite direction until onboarded to ReefBeat.



Connection and initial setup

Download and install the ReefBeat-App from the app Store or Google Play as appropriate for your Smart Mobile Device (SMD). If this is your first ReefBeat device you will need to set up an account and add some details of your aquarium. If you do not have a permanent internet connection set the aquarium to "Offline".

Set your ReefMat to AP mode by pressing the settings button for 5 seconds (until double blink). The indicator LED should be blinking.

Tap the Add Device button from the Device Manager page, select the icon and follow the instructions in the app. This may take a few seconds. If no devices appear on the list, check that the ReefMat is in AP mode and/or refresh the page.

ReefBeat-App will now display a list of Wi-Fi networks and signal strengths that are available to the ReefMat from its current location. Select your preferred network and wait a few moments while the ReefMat connects to it. The indicator LED will now be a solid red. Follow the instructions on the app for initial settings.

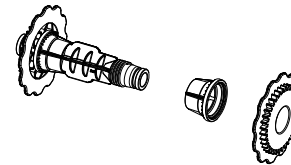
If you have set the aquarium to Offline, select the "Direct Mode" option at the top of the screen to skip the network connection. The indicator LED will continue to blink as the ReefMat Wi-Fi remains in AP mode.

Follow the instructions in the app for connecting the ReefMat to the ReefBeat App and cloud. Then select which side of the ReefMat (Left or Right) you have installed the drive-unit. It is best to come back to the App and confirm that the fleece-mat roll has been installed after it has actually been installed to avoid triggering any of the warning notifications.

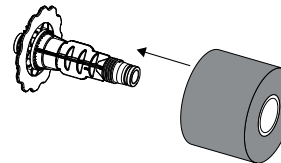
Inserting a new fleece-mat roll

ENG

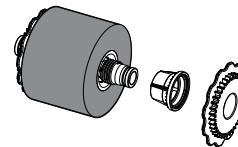
Remove all of the packaging material and assemble the new mat onto the dispensing shaft as follows:
Disassemble shaft.



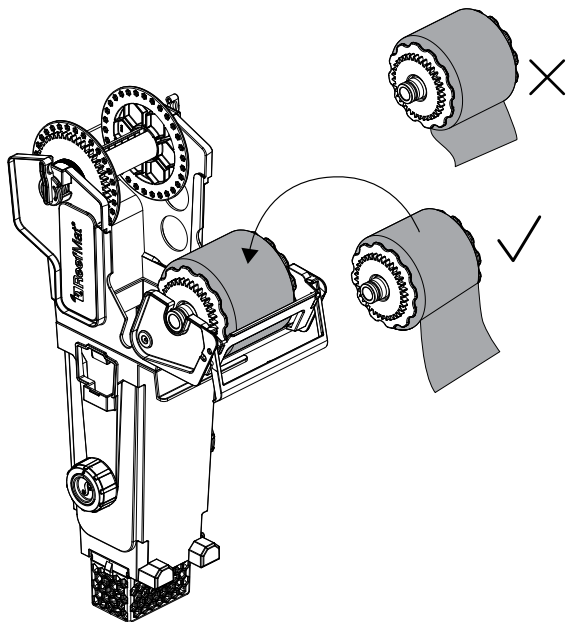
Insert the shaft into the cardboard core of the new roll.



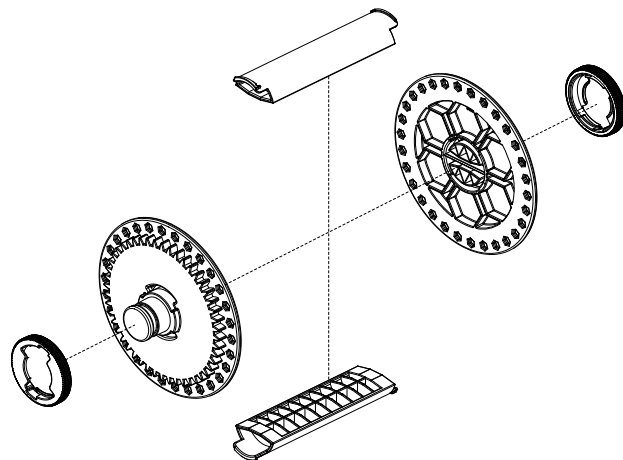
Insert the chuck on the shaft and screw the side plate firmly into position.



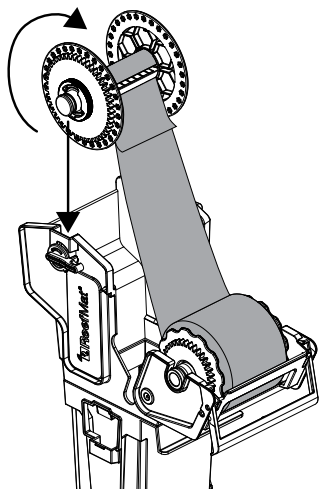
Open the flap and place the dispensing shaft into the recesses in the flap, with the free end of the material hanging down on the outside.



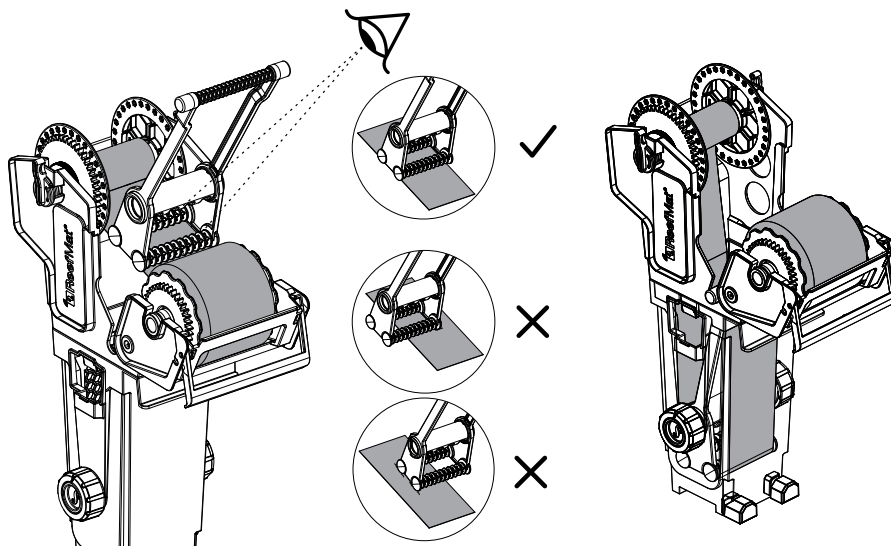
Note: Disassemble and reassemble the take-up shaft to familiarize yourself with how this is done. This will make it easier when you need to remove the first full used roll.



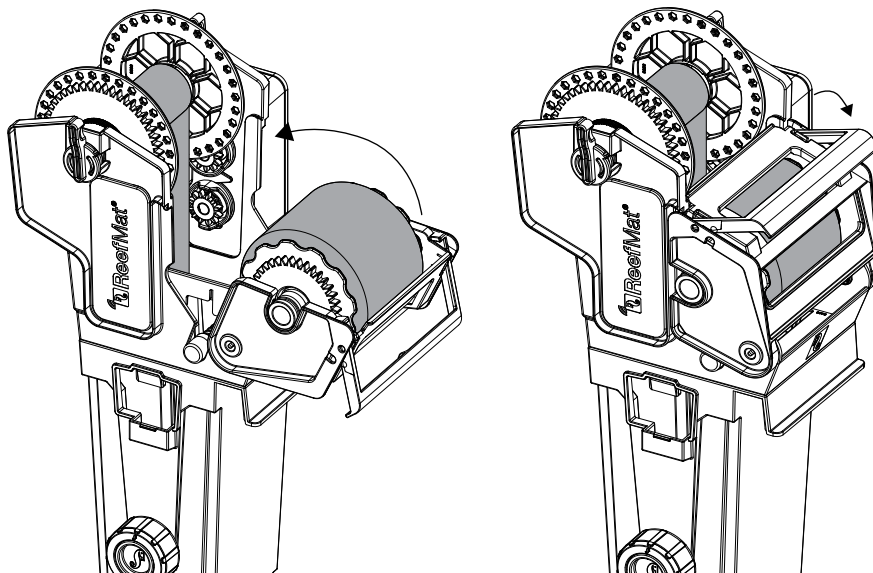
Thread the free edge of the fleece-mat into the slot in the take-up shaft and rotate the top side forwards (so that the new material comes from the bottom rear of the shaft) for a few turns to firmly attach the material to the shaft. Lower the shaft to its operating position in the Head and rotate slightly as the gears on the shaft engage with the gears on the drive-unit. Close the side locks to hold the shaft in position.



Check that the seals are mounted on both sides of the retainer. Align the external rollers with the outer edges of the fleece-mat. Carefully lower the retainer inside the chamber until it is firmly seated at the bottom and the retainer handle is in its slot in the head. The mat will naturally unwind from the new roll while lowering the retainer as the take-up shaft cannot rotate freely.



Return the flap to the upright position and lock in position by lowering the handle. Make sure that the fleece is tightened by rotating the dispensing roll. Alternatively, pressing the wind button on the drive-unit will wind any loose material on to the take-up roll.



Activating a new fleece-mat roll

- Open the App and go to the “New roll installation” from the settings page and select the “Full roll” option. This will activate the unit in the normal operating “Auto-Advance” mode. If you are not installing a full roll, see the “partial roll” instructions below.
- When installing a new roll, the entire filter chamber is lined with clean fleece-mat and therefore it could take quite some time before the initial fleece-mat gets blocked enough for it to be advanced. The ReefBeat homepage will present the initial length (38cm / 15”) in the usage progress bar included in the “today” and “total usage” counters.
- If you wish to ensure that you have installed the new roll correctly, use the “Manual Advance” option from the settings page to advance the fleece-mat by the preset default length of 2 – 2.5cm / 0.8”-1”.

Operation

Auto-Advance

The ReefMat is designed to automatically advance the fleece-mat by a preset length each time the water level inside the filter rises to the level of the internal water sensor. The auto-advance function can be disabled/enabled as required from: **Homepage>settings page>Auto Advance**. When activated the auto-advance function will continue for the entire length of the roll unless one of the following situations occur. In such cases the appropriate notification will be sent to the ReefBeat App, the status indicator LED on the drive-unit will blink and the ReefMat will wait for your intervention to resolve the issue.

If there is no Auto-Advance for a period of 6 hours the drive-unit will perform an automatic self-test of approximately 0.5cm / 0.2" that will detect if the fleece-mat is torn.

Jammed-Mat

In the event that the fleece-mat cannot advance due to a mechanical blockage (the take-up shaft is stuck or is rotating without advancing the fleece-mat) or the fleece-mat gets torn, the drive-unit will stop trying to advance the fleece-mat and wait for your intervention to resolve the issue. The status indicator LED on the drive-unit will blink. The ReefBeat App will receive a notification and the status in the homepage will be shown as "Jammed-Mat".

If the fleece-mat is blocked, it is most likely that an animal such as a snail has got wedged between the fleece-mat and one of the rollers on the retainer. To resolve the blockage, do the following:

- Press on the unwind button until about 2.5cm/1" of fleece-mat has been released from the take-up roll.
- Rotate the dispensing roll by hand to take up the released fleece-mat. This may dislodge whatever is causing the blockage without having to remove the mat retainer.
- Press on the wind button until the fleece-mat advances about 5cm or 2". If this does not resolve the blockage then do the following:
 - Open the front flap and move the dispensing roll from the head to the flap.
 - Raise the mat-retainer and remove it from the fleece-mat.
 - Wash the mat-retainer and ensure that the guide rollers can rotate freely.
 - Return the mat-retainer to the fleece-mat and lock it back into position inside the filter chamber.
 - Return the dispensing roll to the head, close the flap and press the wind button until the dispensing roll begins to rotate.

If the take up shaft is still rotating without advancing the fleece-mat or the fleece-mat has torn, remove the used fleece-mat from the take-up shaft (cut the fleece-mat if required) and reinsert the fleece. Note: The usage counters will continue as normal as they are not affected by removing material from the take-up roll.

Once the jam has been resolved, restart the unit either from ReefBeat by pressing the “Resume” button or directly from the drive-unit by pressing on the wind/unwind buttons at the same time for 2 seconds.

Note: If the Jammed-Mat notification occurs within the first day of onboarding ReefMat to the ReefBeat, check that the Left/Right setting for the drive unit is correct. The wrong drive unit position setting will cause the “Jammed-Mat” state as soon as the first mat advance occurs.

Homepage>settings page>more settings>Drive-unit position

End of Roll

When a roll ends, the drive-unit will stop trying to advance the fleece-mat and wait for you to install a new roll. The status indicator LED on the drive unit will blink. The ReefBeat App will receive a notification and the status in the homepage will be shown as “End of Roll”.

Once the new roll has been installed, open the ReefBeat App and select the “New roll installation” from the settings page. If you are installing a partially used roll instead of a full new roll, see the instructions below.

No Level sensor

If the level sensor is not connected to the drive-unit, the ReefMat cannot function. The status indicator LED on the drive-unit will blink. The ReefBeat App will receive a notification and the status in the homepage will be shown as “No sensor”.

Once the sensor has been connected the drive-unit will return automatically to Auto-Advance.

High-Water

If the water level in the sump rises to the operating water level inside the ReefMat filter chamber (such as when the main return pump has been switched off) the drive-unit will stop trying to advance the fleece-mat until the water level in the sump drops (such as when the main return pump has been switched on again). While the High-Water state is detected the status indicator LED will blink and the status in the ReefBeat App will be shown as “High-Water”.

Set-up Error

Set-up error will be received after initial set-up or after installing a new fleece-mat if any of the following has occurred:

- Left/Right setting for the drive unit in the ReefBeat App is incorrect.
- The Mat on the take-up shaft has been wound the wrong way.
- The Mat roll has been installed the wrong way around on the Dispensing shaft.
- The free end of the new Mat was not firmly attached to the take-up shaft, and the shaft now rotates without advancing the Mat.

After resolving the issue you need to press the “Resume” button in the App, or simultaneously press on the wind/unwind buttons for 2 seconds for the ReefMat to resume its normal operation.

Other Settings

Manual Operation

The fleece-mat can be manually advanced by pressing the “wind” button on the side of the drive-unit. The length of fleece-mat advanced will be according to how long the button is pressed, however the actual length is recorded and is included in the hourly dispensing log.

A manual advance of the same length as the pre-set auto-advance can be given at any time by selecting the manual advance option from the head settings page. (*Homepage>settings page>manual advance*) This can be used to as a test to confirm the proper functioning of the unit.

Mat Advance (length)

The drive-unit can be set to auto-advance the fleece-mat from a minimum of 0.5cm – 1.0cm / 0.2 – 0.4” up to the full length of the filter chamber.

The default preset is for 2.0 – 2.5cm / 0.8 – 1.0”. It is recommended to leave this default setting for the first few days of operation, until the average daily usage settles down to a regular value. Once the daily average is established the mat advance length can be customized to give the desired frequency of advances.

To customize the Mat advance length: *Homepage>settings page>more settings>Mat advance*. Remember to press the “Save” button to implement your changes.

Scheduled Advance

The scheduled advance feature enables you to preset a long fleece-mat advance at a specific time every day. For example, if the average daily usage is 36cm and you set a scheduled advance of 12cm you can assume that the ReefMat will not need to advance the fleece-mat again for about 8 hours. This is useful if you want to ensure a specific period without any noise, such as during the night for a tank located in a bedroom. This feature is only available once the daily average has been established. To activate the Scheduled Advance: *Homepage>settings page>more settings>Scheduled advance*. Remember to press the “Save” button to implement your changes.

End of Roll monitor

The end of roll monitor lets you know a preset number of days before the roll is due to run out, based on the daily average consumption. The default value is set at 5 days. This can be changed from: *Homepage>settings page>more settings>End of Roll monitor*. Remember to press the “Save” button to implement your changes.

Editing ReefMat Drive-unit position

If during initial setup of the ReefMat the wrong position of the Drive-unit was selected, this setting can be changed from *Homepage>settings page>more settings>Drive-unit position*. Remember to press the “Save” button to implement your changes.

ReefMat Data

Clear settings

To permanently remove all user settings from the memory of the ReefMat and return it to its initial default state, perform the following steps.

If the device is connected to the ReefBeat, trigger the hard-reset option from the Device-Manager: ***Device Manager>Hard-Reset***

If the device is not connected to the ReefBeat, press the Settings button for about 15 seconds (until the Wi-Fi indicator LED shows a double blink), release the button and wait for about 1 minute for the device to reboot.

The unit will restart without any user settings and with the Wi-Fi switched on, exactly as shipped from the factory. The unit will retain the latest installed version of the firmware.

The ReefBeat provides a daily and hourly log of fleece mat usage for the previous 30 days (7 days for offline aquariums). The log for the full roll can be exported as a .csv file.

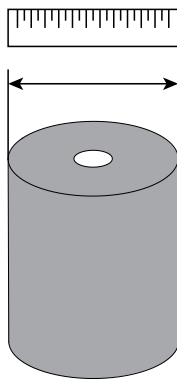
In addition, ReefBeat maintains a roll log history showing the number of days previous rolls were used for.

Partial Roll

In the event that you have removed a partially used roll of fleece-mat and wish to use it at a later time you should select the “Partial roll” option when installing it as a new roll.

To get full functionality, it is best to measure the external diameter of the roll before installing it on the dispensing shaft and enter this value in the ReefBeat App.

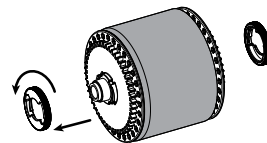
As a guide the diameter of the side disk is 98mm 3.9”.



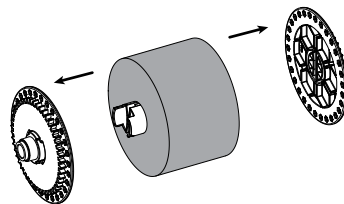
If you choose not to enter the diameter, the ReefMat will continue filtering the aquarium correctly however the system will not be able to monitor the exact usage and the end-of-roll notification will be disabled.

Removing used fleece-mat from the Take-up shaft

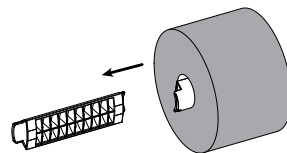
Remove the retaining nuts by rotating counter-clockwise.



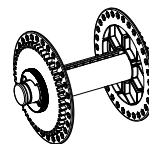
Remove the side disks by pushing the 2 halves of the shaft through the disk.



Slide the 2 halves of the shaft out from the used fleece-mat, one at a time.



Reassemble the take-up shaft ready for next use.



Device Maintenance

Drive-unit

For continued smooth running of the Drive-unit, we recommended making sure that it is kept clean, dry and free of any buildup of salt deposits on a regular basis.

The unit is not waterproof. Do not submerge in water or other solutions. Do not open, there are no user serviceable parts inside the Drive-unit.

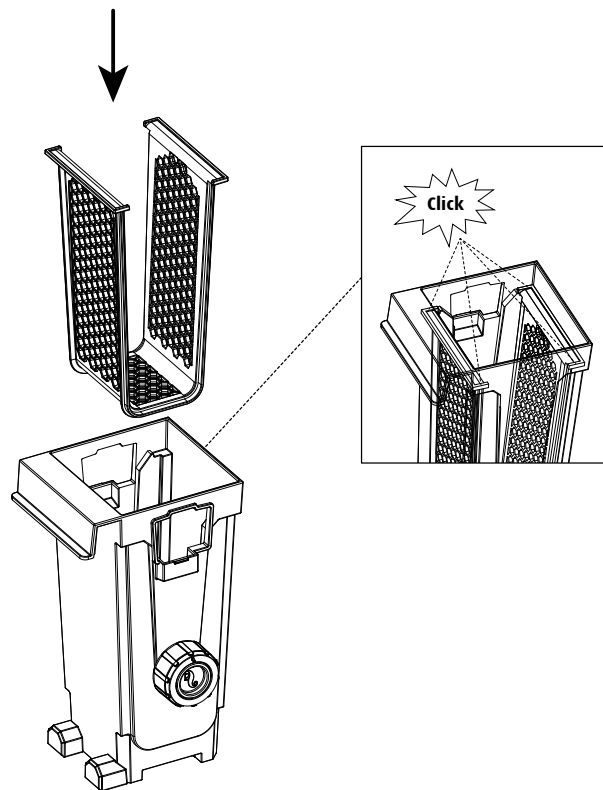
Water level sensor

We recommended making sure that the sensor is kept free of any buildup of algae growth or salt deposits on a regular basis. The sensor is waterproof and can be safely washed under running water. The titanium tips can be brushed to remove any hard deposits.

Filter chamber components

It is recommended to rinse the mat-retainer and filter grid each time the fleece-mat is replaced to prevent the buildup of bacteria, algae or marine fauna that could cause blockages or tears.

Note: after assembling the grid, secure it by pressing the top edges against the body.



Troubleshooting

A full and up to date FAQ for the ReefMat and the ReefBeat app is available in the app (*Homepage Main Menu> Help> FAQ*) and on our website.

Q. I am having trouble installing the ReefBeat App or it crashes or does not seem to be working as described in the manual.

A. Check that your specific mobile device is on the list of supported devices on our website.

Q. My mobile is on the list of supported devices but keeps crashing.

A. Uninstall and reinstall the app and sign in again with your username and password. If this does not help, contact customer support.

Q. I'm having difficulty connecting the ReefMat to my home network.

A. Check that the ReefMat Wi-Fi is working correctly by using the "Offline Direct Mode" option. If it does, try connecting to the hot-spot of a mobile phone in the same room: *Device Manager> Device Line menu> About > Connect*.

If neither of these options work, contact customer support. If they do work, the problem is likely with the router signal strength or its configuration, or it may be overloaded with devices.

- Check that the signal strength of your router is sufficient for a stable connection exactly where the ReefMat is located. You may need to install a suitable Wi-Fi extender closer to the aquarium.
- The router may have too many devices already connected to it.
- Your router may be configured not to allow devices like the ReefMat to be connected. This situation is common in an office environment- contact your IT professional.

Q. I keep getting notifications that my ReefMat is not connected.

A. If your network router is not permanently connected to the internet, set your Aquarium as "Offline" *My Aquariums> Device Line Menu> Offline*. If your network router is meant to be permanently connected, check the quality of the Wi-Fi connection between the ReefMat and your router or the stability of your internet connection.

Q. I have just set up the ReefMat for the first time or just re-onboarded it to the ReefBeat App and the Wind/Unwind buttons on the drive-unit seem to be working in the opposite direction.

A. Check that the Left/Right setting for the drive unit is correct. The wrong setting will cause the take-up shaft to rotate in the opposite direction. If not corrected the first manual or auto-advance will stop the unit from working and you will receive the "Jammed-Mat" notification. To check/reset the drive unit position: *Homepage>settings page>more settings>Drive-unit position*.

Q. Water is flowing out the top of the filter chamber and the fleece-mat is not advancing

A. Please check the following:

- The ReefMat sensor is correctly installed in its operating position on the filter chamber.
- The titanium pins on the bottom of the ReefMat sensor are clean and free of any obstruction of organic/mineral build-up.
- The Auto-Advance in the ReefBeat App settings page has been switched on and you pressed the save button at the top of the page.
- You have a saltwater system. The ReefMat sensor will not detect freshwater or low salinity brackish water.

- Q.** The water level inside the filter chamber does not seem to be rising and the fleece-mat is not advancing.
- A.** If this is a newly installed unit, it could take about a day for the initial fleece-mat lining the filter chamber to get blocked enough to cause an advance. In an established system check that the Mat-Advance-length setting is at a reasonable length to cause regular advances in the time frame you are expecting. Also check that that a long “Scheduled-Advance” is not implemented. If all of the settings are correct check for one the following issues that is causing the water to completely or partially bypass the fleece-mat:
- The inlet hose is not firmly connected to the inlet port or is missing the silicone seal.
 - The inlet port plug is not correctly sealing the unused inlet port.
 - The mat-retainer is not seated correctly inside the filter chamber.
 - The fleece-mat inside the filter chamber has been perforated or twisted.

Warranty

Red Sea Products Limited Warranty.

The limited warranty sets forth all of **Red Sea Aquatics Ltd (Red Sea)** responsibilities regarding this product. There are no other express or implied warranties from Red Sea.

Red Sea warrants your product against defects in materials and workmanship for a period of 24 months, valid from the date of original purchase and will repair this product free of charge (not including shipping costs) with new/rebuilt parts. The precondition for the warranty is that the stipulated set-up routine is observed. In the event that a problem develops with this product during or after the warranty period, contact your local dealer or Red Sea (at the company address indicated) for details of your nearest authorized service center.

The warranty is extended only to the original purchaser. Proof of date of purchase will be required before warranty performance is rendered. This warranty only covers failures due to defects in materials or workmanship which occur during normal use. It does not cover damage which occurs during shipment or failures which result from misuse, abuse, neglect, improper installation, operation, mishandling, misapplication, alteration, modification or service by anyone other than an authorized Red Sea service center. Red Sea shall not be liable for incidental or consequential damages resulting from the use of this product, or arising out of any breach of this warranty. All express and implied warranties, including the warranties of saleability and fitness for particular purpose, are limited to the applicable warranty period set forth above.

These statements do not affect the statutory rights of the consumer.

USA

Some states do not allow the exclusion or limitation of incidental or consequential damages, or limitations on how long an implied warranty lasts, so the above exclusion or limitations may not apply.

FCC Compliance Statement:

This device complies with part 15 of the FCC rules. Operation is subject to the following two conditions: (1) This device may not cause harmful interference, and (2) this device must accept any interference received including interference that may cause undesired operation. Any changes or modifications not expressly approved by Red Sea could void the user's authority to operate the RF Module and/or the product that incorporates the RF Module. The user is cautioned to maintain a 20 cm (8 inch) spacing from the product to ensure compliance with FCC regulations.

CE Declaration of Conformity:

The equipment complies with the RF Exposure Requirement 2014/53/EU, Council Recommendation on the limitation of exposure of the general public to electromagnetic fields (0-300 GHz). This equipment meets the following conformance standards: EN 300 328, EN 301 489-17.



DISPOSAL: Do not dispose this product as unsorted municipal waste. Collection of such waste separately for special treatment is necessary.

This product must not be disposed together with the domestic waste. This product has to be disposed at an authorized place for recycling of electrical and electronic appliances.

By collecting and recycling waste, you help save natural resources, and make sure the product is disposed in an environmental friendly and healthy way.

Red Sea Aquatics (GZ) Ltd.
Block 2-4, No.168, West Yingbin
Road,Xinhua Industrial Park,
Huadu District, Guangzhou City,
China, Postal code 510812.

ReefMat® 250

Smart – Plug&Play® – Effizient

Benutzerhandbuch

 Red Sea

Inhalte

Einführung.....	35
ReefMat Bestandteile.....	36
Sicherheit	37
Übersicht.....	38
Merkmale des ReefMat Smart Vliesmatten-Rollenfilters.....	38
Vorteile von Rollenfiltern gegenüber statischen mechanischen Filtern.....	39
Vorbereitungen vor der Installation des ReefMat-Rollenfilters.....	39
Installation des ReefMat.....	42
LED-Anzeigen.....	45
Einstellungstaste - Funktion.....	46
Auf-/Abspulen-Tasten.....	46
Anschluss und Ersteinrichtung.....	47
Einlegen einer neuen Vliesmattenrolle.....	47
Aktivierung einer neuen Vliesmattenrolle.....	51
Betrieb.....	52
Andere Einstellungen.....	54
ReefMat Daten.....	55
Teilrolle.....	56
Benutzte Vliesmatte von der Aufwickelwelle entfernen.....	56
Gerätewartung.....	57
Fehlersuche.....	58
Garantie.....	60

Einführung

Herzlichen Glückwunsch zum Kauf des ReefMat® von Red Sea.

Der ReefMat ist ein Plug & Play, vollautomatischer, intelligenter Vlies-Rollenfilter, der Ihr Aquarienwasser wochenlang kristallklar hält. Der ReefMat wurde speziell für Hobbyisten entwickelt und verfügt über ein einfaches Vliesmatten-Austauschsystem, mit dem Sie die Rollen wechseln können, ohne den Filter aus dem Technikbecken entfernen oder die Pumpen ausschalten zu müssen.

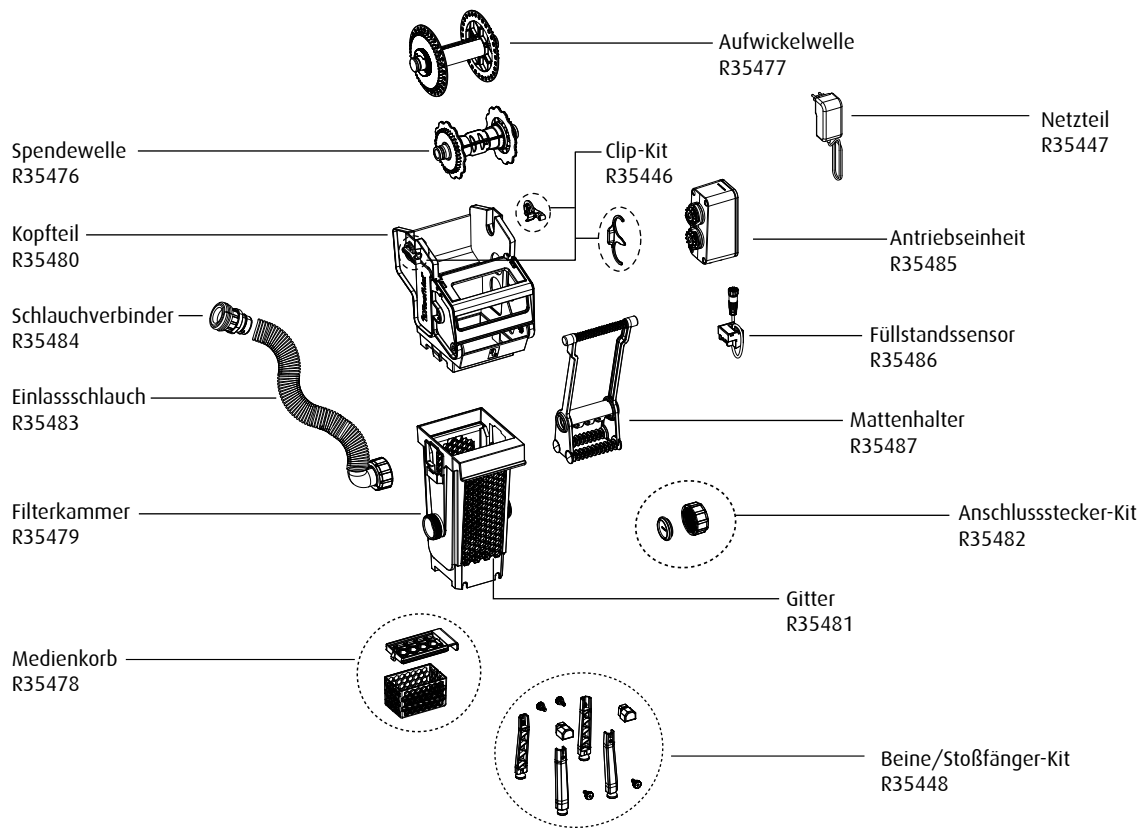
ReefMat enthält eine intelligente Antriebseinheit, die die genaue Länge der verwendeten Vliesmatte, sowie viele andere einzigartige Funktionen steuert und überwacht.

ReefMat ist Teil von Red Seas Reihe intelligenter Geräte, die über Wi-Fi von der ReefBeat®-App von Red Sea betrieben werden, die auf einem Smartphone mit Internetverbindung installiert werden muss.

Willkommen bei der intelligenten Riffaquaristik von Red Sea.

Mit freundlichen Grüßen,
Das Red Sea Team

ReefMat Bestandteile



Sicherheit

BITTE LESEN UND BEFOLGEN SIE ALLE SICHERHEITSHINWEISE.

DIESES GERÄT IST NUR FÜR DEN GEBRAUCH IM HAUSHALT UND IM INNENBEREICH BESTIMMT.

GEFAHR: Um einen möglichen Stromschlag zu vermeiden, ist beim Umgang mit einem nassen Aquarium besondere Vorsicht geboten. Versuchen Sie in den folgenden Situationen nicht, Reparaturen selbst durchzuführen; Bringen Sie das Gerät zur Wartung zu einer autorisierten Servicestelle oder entsorgen Sie das Gerät.

WARNUNG: Um Verletzungen vorzubeugen, sollten grundlegende Sicherheitsvorkehrungen beachtet werden, einschließlich der folgenden:

Betreiben Sie kein Gerät, wenn das Kabel oder der Stecker beschädigt ist, wenn es nicht richtig funktioniert oder wenn es fallen gelassen oder in irgendeiner Weise beschädigt wurde.

Dieses Gerät kann von Kindern ab 8 Jahren und Personen mit eingeschränkten körperlichen, sensorischen oder geistigen Fähigkeiten oder Mangel an Erfahrung und Wissen verwendet werden, wenn sie beaufsichtigt oder bezüglich der sicheren Verwendung des Geräts unterwiesen wurden und die beinhalteten Gefahren verstehen. Kinder dürfen nicht mit dem Gerät spielen. Reinigung und Benutzerwartung dürfen nicht von Kindern ohne Aufsicht durchgeführt werden.

Das Gerät darf nur mit dem mitgelieferten Netzteil betrieben werden.

Eine genaue Überwachung ist erforderlich, wenn ein Gerät von oder in der Nähe von Kindern verwendet wird.

Berühren Sie keine beweglichen Teile, um Verletzungen zu vermeiden.

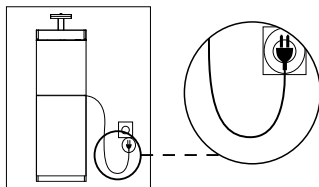


Abbildung 1: Tropfschleife

Trennen Sie ein Gerät immer von der Steckdose, wenn es nicht verwendet wird, bevor Sie Teile anbringen oder abnehmen und bevor Sie es reinigen. Ziehen Sie niemals am Kabel selbst, um den Stecker aus der Steckdose zu ziehen. Fassen Sie den Stecker und ziehen Sie, um ihn zu trennen.

Verwenden Sie ein Gerät nicht zweckentfremdet. Die Verwendung von Zubehör, das nicht vom Gerätehersteller empfohlen oder verkauft wird, kann zu unsicheren Bedingungen führen.

Installieren oder lagern Sie das Gerät nicht an Orten, an denen es Witterungseinflüssen oder Temperaturen unter dem Gefrierpunkt ausgesetzt ist.

Stellen Sie sicher, dass ein Gerät sicher installiert ist, bevor Sie es in Betrieb nehmen.

Lesen und beachten Sie alle wichtigen Hinweise auf dem Gerät.

Hinweis: Ein Kabel, das für weniger Ampere oder Watt als die Geräteleistung ausgelegt ist, kann überhitzen. Achten Sie darauf, das Kabel so zu verlegen, dass man nicht darüber stolpern oder versehentlich daran ziehen kann. Nicht verwenden, wenn das Kabel beschädigt ist. Versuchen Sie im Bedarfsfall nicht, es selbst zu ersetzen oder zu reparieren; Bringen Sie das Gerät zur Wartung zu einer autorisierten Servicestelle oder entsorgen Sie das Gerät.

Betriebsinformationen:

Betriebstemperatur 5 bis 45°C
 Relative Luftfeuchtigkeit: 15~85%RL
 Versorgungsspannung: 100-240V 50/50Hz
 Leistungsangabe: 1A, @10W Max.
 Betriebsspannung: 12 Vdc
 Betriebsfrequenz: 2402-2480 Mhz
 Max. Leistung: 32.43 mW

Übersicht

Der ReefMat ist ein mechanischer Filter, der Partikel aus Aquarienwasser entfernt, indem das Wasser durch ein Vliesfiltermaterial (Vliesmatte) geleitet wird, das die Partikel physikalisch einfängt, die größer als die Maschenweite des Filtermaterials sind.

Der ReefMat ist für die Platzierung unter einem Aquarium im Technikbecken konzipiert und wird entweder durch Schwerkraft direkt aus dem Aquarium oder durch eine spezielle Pumpe, die sich ebenfalls im Technikbecken befindet, mit Wasser gespeist.

Die Vliesmatte wird in Form einer endlosen Rolle geliefert, die über eine Reihe von Filtergittern innerhalb der Filterkammer läuft.

Die Filterkammer des ReefMat ist unten offen und im Neuzustand der Vliesmatte befindet sich der Wasserspiegel in der Kammer auf dem gleichen Niveau wie das Wasser im Technikbecken. Da die Vliesmatte immer mehr Schmutzpartikel zurückhält, steigt der Wasserstand in der Filterkammer langsam an.

Ein Wasserstandssensor, der sich in der Nähe der Oberseite des Filterkörpers befindet, erkennt den steigenden Wasserstand und löst an einem vordefinierten Punkt einen automatischen Vorschub der Vliesmatte aus, wodurch eine voreingestellte Länge sauberen Materials eingeführt wird, wodurch der Wasserstand im Gerät reduziert wird. Dieser Vorgang wird automatisch über die gesamte Länge der Rolle fortgesetzt, die dann ersetzt werden muss.

Merkmale des ReefMat Smart Vliesmatten-Rollenfilters

Der ReefMat wurde speziell für Hobbyisten entwickelt und verfügt über ein einfaches Mattenaustauschsystem, mit dem die Rollen ausgetauscht werden können, ohne den Filter aus dem Sumpf entfernen oder sogar die Pumpen ausschalten zu müssen.

ReefMat umfasst einen doppelten Festkörper-Wasserstandssensor und eine beispiellose intelligente Antriebseinheit, die die genaue Länge der verwendeten Matte antreibt, steuert und überwacht. ReefMat ist über WLAN mit dem intelligenten Aquarien-Ökosystem ReefBeat von Red Sea verbunden und informiert Sie einige Tage bevor die Vliesmatte ausgetauscht werden muss, oder informiert Sie, wenn Ihre Aufmerksamkeit erforderlich ist. Das System bietet Ihnen ein tägliches und stündliches Nutzungsprotokoll, sodass Sie die Leistung Ihrer aktuellen Rolle überwachen und sogar Ihre vorherigen Rollen verfolgen können. Die zum Patent angemeldete Antriebseinheit treibt die Aufnahmewelle für gebrauchtes Material an, während sie die Drehung der Ausgabewelle für neues Material aufzeichnet. Diese Anordnung ermöglicht es dem Gerät, den Motor sofort abzuschalten, wenn es feststellt, dass die Vliesmatte blockiert oder gerissen ist, und eine Benachrichtigung an die ReefBeat App zu senden.

Der doppelte Wasserstandssensor ist oben an der Filterkammer montiert, wobei sich ein Sensor innerhalb der Kammer und einer außerhalb befindet. Der interne Sensor dient dem regulären Betrieb der ReefMat, während der externe Sensor einen hohen Wasserstand im Technikbecken erkennt (z. B. wenn die Hauptrückförderpumpe ausgeschaltet ist) und die kontinuierliche Ausgabe neuer Vliesmatten verhindert.

Der eingebaute Medienkorb am ReefMat-Auslass verbessert die Leistung aller Filtermedien, indem sichergestellt wird, dass nur vorgefiltertes Wasser durch sie fließt.

Vorteile von Rollenfiltern gegenüber statischen mechanischen Filtern

Statische mechanische Filter wie Micron-Socken, Watte, Pads usw. leisten gute Arbeit beim Einfangen von Filterpartikeln. Bis diese statischen Filter jedoch entfernt und gewaschen werden, bleiben die eingefangenen Partikel im Wasser und zersetzen sich allmählich, wodurch sie dem System Nährstoffe (Nitrat und Phosphat) hinzufügen. Die Verwendung eines korrekt ausgelegten Rollenfilters entfernt alle gesammelten Partikel innerhalb von etwa einem Tag, wodurch ihre Zersetzung erheblich reduziert wird. Aufgrund der Effizienz der ReefMat, insbesondere mit Kohlenstoff im eingebauten Medienkorb, können Sie kurz nach dem Hinzufügen zu einem etablierten Aquarium einen Rückgang des Nährstoffgehalts feststellen.

Red Sea Systeme

Wenn Sie den ReefMat in ein Red Sea REEFER- oder MAX-Aquariumsystem nachrüsten, sehen Sie sich die empfohlenen Installationsoptionen auf der Website an: <https://www.redseafish.com/reefmat-installation-options>

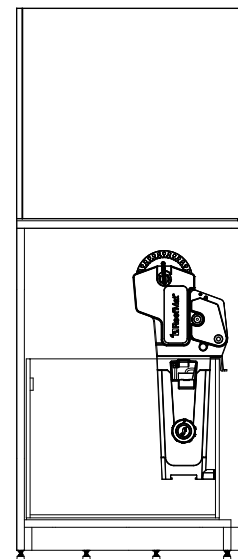
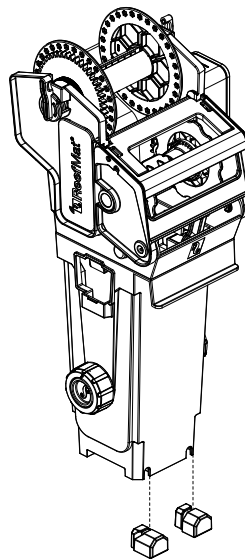


Vorbereitungen vor der Installation des ReefMat-Rollenfilters

DE

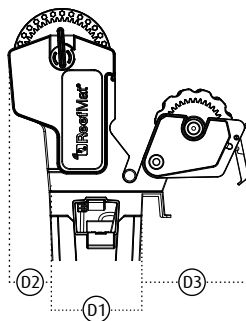
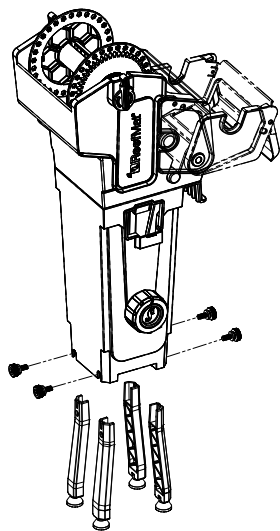
Hang-On-Installation

Zur Erleichterung der Wartung wird empfohlen, die ReefMat an der Vorderwand des Technikbeckens aufzuhängen, für diese Installation stecken Sie die Gummy-Abstandshalter an der unteren Vorderseite der Filterkammer ein.



Freistehende Installation

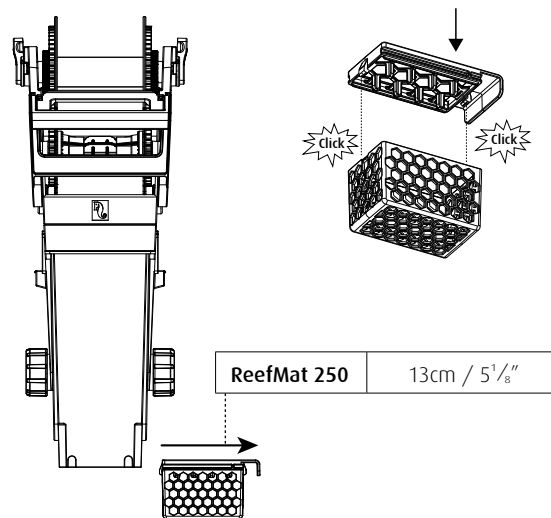
Befestigen Sie die 4 Beine am Boden der Filterkammer und stellen Sie sicher, dass vor der ReefMat genug Platz ist, um die Frontklappe vollständig zu öffnen.



	ReefMat 250
D1	11.5cm / 4 ¹⁷ / ₃₂ "
D2	5cm / 1 ³¹ / ₃₂ "
D3	13cm / 5 ¹ / ₈ "

Medienkorb

Wenn Sie den Medienkorb verwenden möchten, stellen Sie sicher, dass genügend Platz vorhanden ist, um den Korb vollständig aus einer Seite der Filterkammer herauszuziehen. Wenn dies nicht möglich ist, kann der Medienkorb (ohne montierten Deckel) durch die Filterkammer erreicht werden, dies ist jedoch weniger bequem zu bedienen.

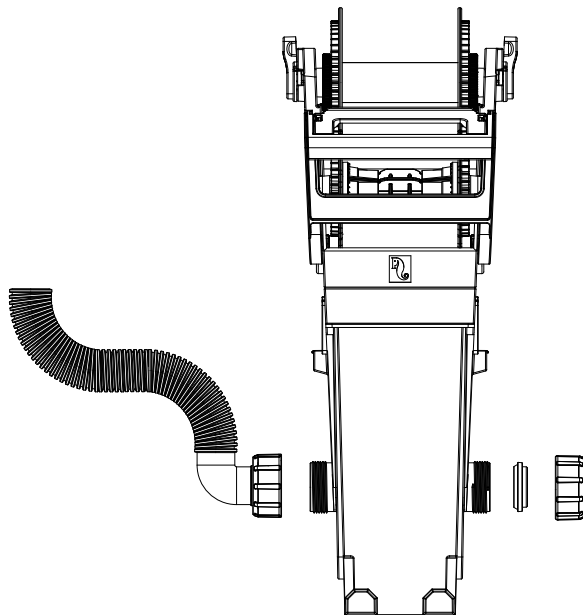


ReefMat 250

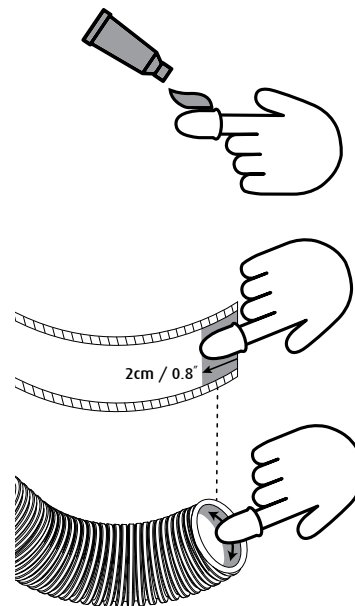
13cm / 5¹/₈"

Einlassschlauch

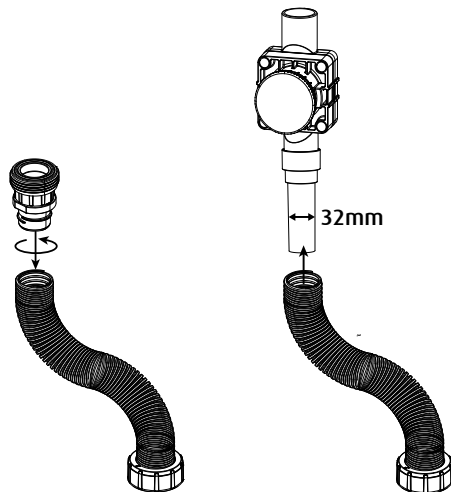
Der knickfeste gewellte Zulaufschlauch wird mit einem Ende fertig zum Anschluss an die Zulaufstutzen auf beiden Seiten der Filterkammer geliefert.



Schneiden Sie das freie Ende des Schlauchs entsprechend Ihrer Installation auf die erforderliche Länge. Verwenden Sie die mitgelieferte Fingerabdeckung, verteilen Sie eine kleine Menge des flüssigen Dichtmittels auf den ersten 2 cm / 0,8 Zoll der Innenfläche des Schlauchs und schrauben Sie den Schlauchanschluss ein, bis es fest ist. Entfernen Sie überschüssiges Dichtmittel aus dem Inneren des Schlauchs.



Hinweis: Dieses Teil hat ein Linksgewinde. Das Rohr kann verwendet werden, bevor das Dichtmittel trocken ist. Die andere Seite des Universalverbinders kann an ein standardmäßiges 32-mm- oder 1-Zoll-PVC-Rohr geklebt werden.

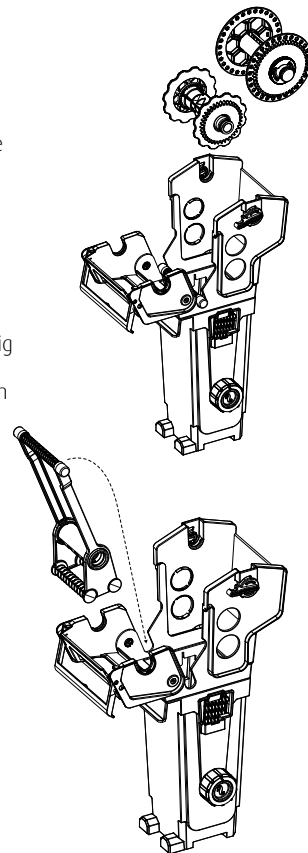


Alternativ kann das freie Ende des verstärkten Schlauch auch direkt an einen Standard-PVC-Schlauch mit 32 mm Durchmesser angeschlossen werden, wie er in den meisten Systemen der Red Sea Reefer-Serie verwendet wird. Da diese Verbindung nicht unter Wasserdruck steht, empfiehlt es sich, Flüssigdichtmittel zu verwenden und den verstärkten Schlauch mit einem Kabelbinder zu fixieren.

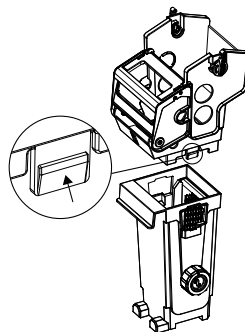
Installation des ReefMat

Drehen Sie die Aufnahmewellenverriegelungen in die offene Position und entfernen Sie die Aufnahmewelle vom ReefMat-Kopf. Entriegeln Sie die vordere Klappe, indem Sie den Griff anheben, drehen Sie die Klappe nach vorne in ihre horizontale Position und entfernen Sie die Ausgabewelle.

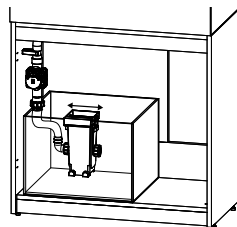
Heben Sie den Mattenhalter vollständig aus der Filterkammer, schließen Sie die Klappe und arretieren Sie ihn durch Absenken des Griffs.



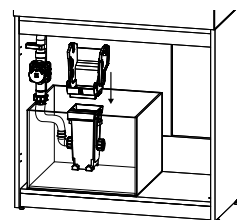
Entfernen Sie den ReefMat-Kopf von der Filterkammer, indem Sie auf die seitlichen Riegel drücken, während Sie ihn anheben.



Platzieren Sie die Filterkammer an der ausgewählten Stelle im Technikbecken und verbinden Sie den Einlassschlauch mit dem Einlassanschluss auf der linken oder rechten Seite der Filterkammer.

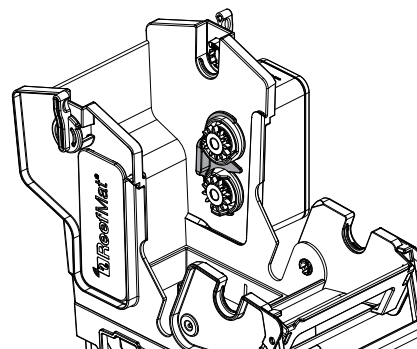
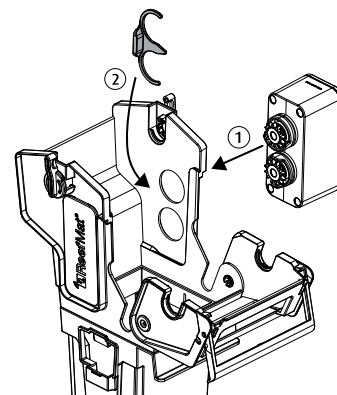


Stellen Sie sicher, dass das Filtergitter in der Kammer positioniert ist, und lassen Sie die ReefMat Kopf-Einheit einrasten.

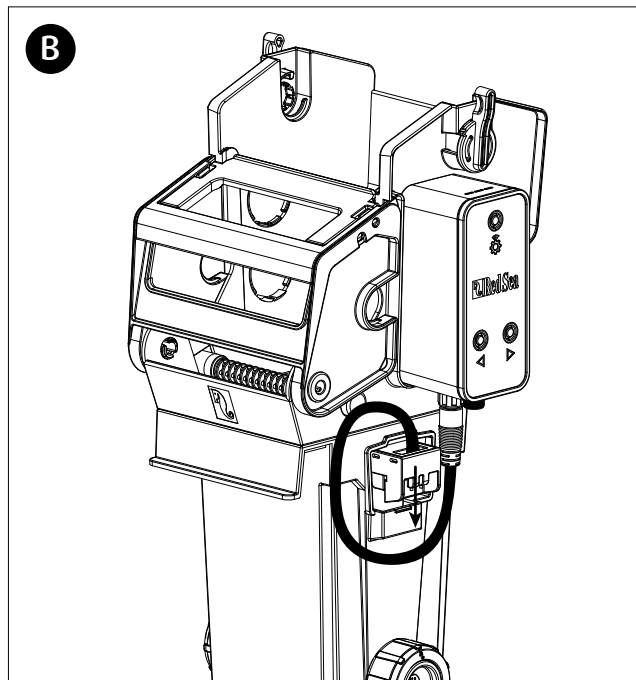
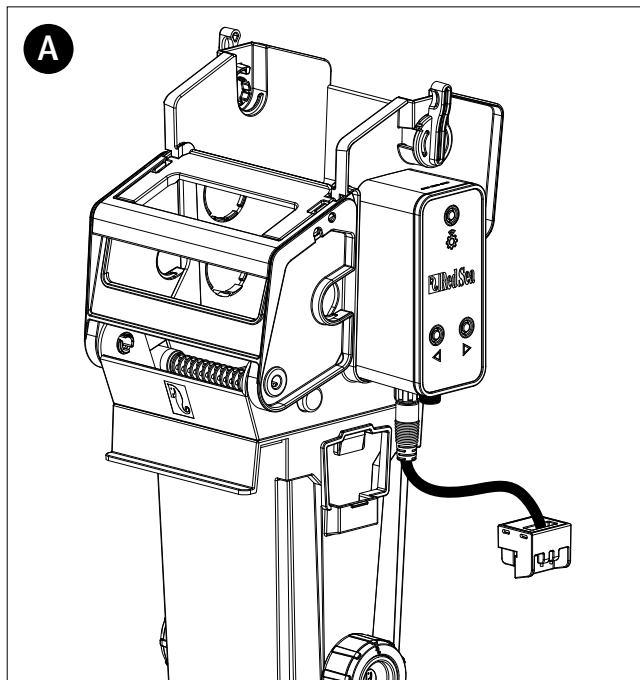


Schließen Sie das Gleichstromnetzteil an den 2-poligen Stromeingang an der Unterseite der Antriebseinheit an. Schließen Sie den Wasserstandsensord an den 4-poligen Einlassanschluss an der Unterseite der Antriebseinheit an.

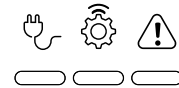
Montieren Sie die Antriebseinheit entweder auf der linken oder rechten Seite des ReefMat-Kopfes und befestigen Sie sie mit dem mitgelieferten Clip in Position. Stellen Sie sicher, dass Sie neben der Antriebseinheit genügend Platz haben, um die Wi-Fi-Einstellung und die Auf-/Abwickeltasten bedienen zu können.



Montieren Sie den Niveausensor an seiner Betriebsposition an der Filterkammer.



LED-Anzeigen



DE

Führen Sie das Netzteil aus der Rückseite des Gehäuses heraus und stecken Sie es in die Wandsteckdose oder eine andere geeignete Steckdose. Überprüfen Sie, ob die Anzeige-LED oben auf der Antriebseinheit leuchtet.

Integrieren Sie die Antriebseinheit in die ReefBeat-App und schließen Sie die Ersteinrichtung ab, bevor Sie die Vliesmatte installieren.



Stromanzeige:

- Rotes Dauerlicht - DC ist verfügbar.
- Kein rotes Licht - DC ist nicht verfügbar.



Einstellungsanzeige:

- Rotes Dauerlicht – ReefMat ist mit dem Heimnetzwerk verbunden.
- Blinkendes rotes Licht – ReefMat befindet sich im Wi-Fi Access Point (AP)-Modus (kann von Wi-Fi-Geräten erkannt werden).
- Kein rotes Licht – ReefMat Wi-Fi ist ausgeschaltet.
- Doppeltes Blinken – zeigt Statusänderung / Prozessende an.



Statusanzeige:

- Kein rotes Licht – ReefMat funktioniert normal.
- Blinkendes rotes Licht – zeigt an, dass der Auto-Advance-Modus aufgrund einer der folgenden Bedingungen ausgesetzt wurde: Hochwasser, Füllstandssensor getrennt, Matte verklemmt, Rollenende. Gleichzeitiges Drücken der Auf-/Abwickeltasten setzt die ReefMat in den Auto-Advance-Modus zurück.

Einstellungstaste - Funktion

Wenn die Anzeige-LED aus ist (ReefMat Wi-Fi ist aus): Durch Drücken der Taste für 5 Sekunden (bis zum doppelten Blinken) wird der Wi-Fi AP-Modus aktiviert.

Wenn die Anzeige-LED blinkt (ReefMat Wi-Fi befindet sich im AP-Modus): Durch Drücken der Taste für 5 Sekunden (bis zum doppelten Blinken) wird Wi-Fi ausgeschaltet.

Wenn die Anzeige-LED leuchtet (ReefMat Wi-Fi ist mit einem Wi-Fi-Netzwerk verbunden):

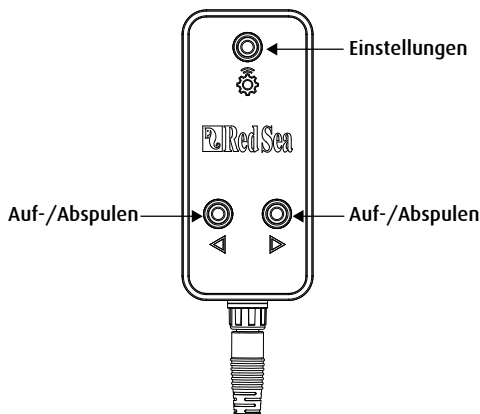
Durch Drücken der Taste für 5 Sekunden (bis zum doppelten Blinken) wird die ReefMat vom Netzwerk getrennt und in den Wi-Fi-AP-Modus geschaltet. (Hinweis: Bevor Sie eine ReefMat von einem Netzwerk trennen, löschen Sie die ReefMat über den Geräte-Manager aus der ReefBeat-App.) Hinweis: Alle Einstellungen bleiben erhalten und können wiederhergestellt werden, wenn Sie sie wieder mit dem ReefBeat verbinden.

Einstellungen löschen: 15 Sekunden langes Drücken der Taste (bis zum doppelten Blinken) löscht alle Benutzereinstellungen und schaltet das WLAN aus. Schließen Sie den Reset-Vorgang ab, indem Sie die Gleichstromversorgung trennen und wieder anschließen.

Auf-/Abspulen-Tasten

Durch Drücken der Taste an der Rückseite der Antriebseinheit wird das Material manuell von der Ausgaberrolle vorgeschoben und auf die Aufnahmerolle aufgewickelt (▷).

Durch Drücken der Taste an der Vorderseite der Antriebseinheit (<) wird verbrauchtes Material manuell von der Aufwickelrolle ausgegeben, es wird jedoch nicht automatisch auf die Ausgaberrolle zurückgespult. Diese Aktion dient in erster Linie dazu, die Spannung der Aufnahmerolle zu lösen, damit sie leicht aus ihrer normalen Betriebsposition entfernt werden kann.



Hinweis: Die Drehrichtung der Auf-/Abwickeltasten wird bei Auswahl der Rechts-/Links-Montage der Antriebseinheit eingestellt. Die Standardeinstellung ist die Installation auf der rechten Seite, bei der die Schaltflächen auch vor dem Onboarding bei ReefBeat korrekt funktionieren. Bei der Installation auf der linken Seite funktionieren die Tasten in die entgegengesetzte Richtung, bis sie in ReefBeat integriert sind.

Anschluss und Ersteinrichtung

Laden Sie die ReefBeat-App aus dem App Store oder Google Play herunter und installieren Sie sie entsprechend Ihrem Smart Mobile Device (SMD).

Wenn dies Ihr erstes ReefBeat-Gerät ist, müssen Sie ein Konto einrichten und einige Details Ihres Aquariums hinzufügen. Wenn Sie keine dauerhafte Internetverbindung haben, stellen Sie das Aquarium auf „Offline“.

Stellen Sie Ihre ReefMat auf den AP-Modus ein, indem Sie die Einstellungstaste 5 Sekunden lang gedrückt halten (bis zum Doppelblinken). Die Anzeige-LED sollte blinken.

Tippen Sie auf der Seite „Gerätemanager“ auf die Schaltfläche „Gerät hinzufügen“, wählen Sie das Symbol aus und befolgen Sie die Anweisungen in der App. Dies kann einige Sekunden dauern. Wenn keine Geräte in der Liste angezeigt werden, überprüfen Sie, ob sich die ReefMat im AP-Modus befindet und/oder aktualisieren Sie die Seite.

Die ReefBeat-App zeigt nun eine Liste der WLAN-Netzwerke und Signalstärken an, die der ReefMat an ihrem aktuellen Standort zur Verfügung stehen. Wählen Sie Ihr bevorzugtes Netzwerk aus und warten Sie einen Moment, während die ReefMat eine Verbindung dazu herstellt. Die Anzeige-LED leuchtet nun durchgehend rot. Befolgen Sie für die Ersteinstellungen die Anweisungen in der App.

Wenn Sie das Aquarium auf Offline gestellt haben, wählen Sie oben auf dem Bildschirm die Option „Direktmodus“, um die Netzwerkverbindung zu überspringen. Die Anzeige-LED blinkt weiter, während das ReefMat Wi-Fi im AP-Modus bleibt.

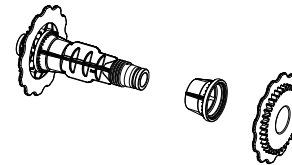
Befolgen Sie die Anweisungen in der App, um die ReefMat mit der ReefBeat-App und der Cloud zu verbinden. Wählen Sie dann aus, auf welcher Seite der ReefMat (links oder rechts) Sie die Antriebseinheit installiert haben. Am besten kehren Sie zur App zurück und bestätigen, dass die Vliesmattenrolle installiert wurde, nachdem sie tatsächlich installiert wurde, um keine Warnmeldungen auszulösen.

Einlegen einer neuen Vliesmattenrolle

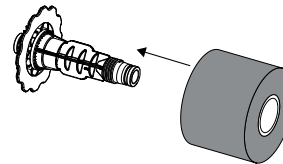
DE

Entfernen Sie das gesamte Verpackungsmaterial und montieren Sie die neue Matte wie folgt auf der Spindelwelle:

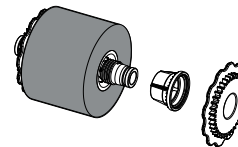
Welle zerlegen.



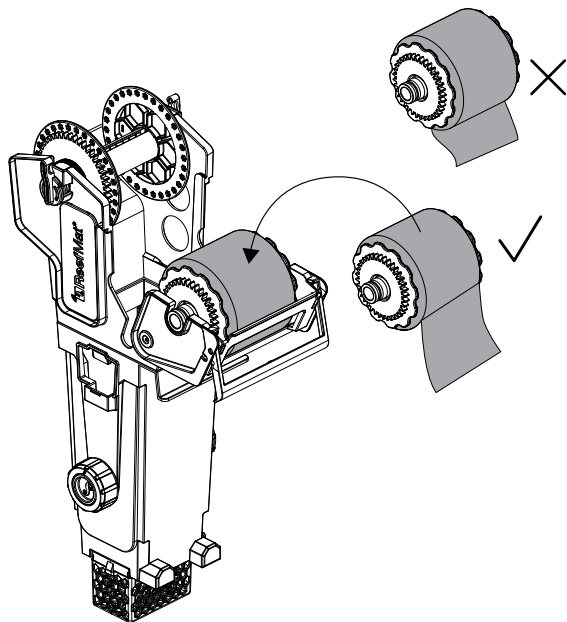
Stecken Sie die Welle in den Kartonkern der neuen Rolle.



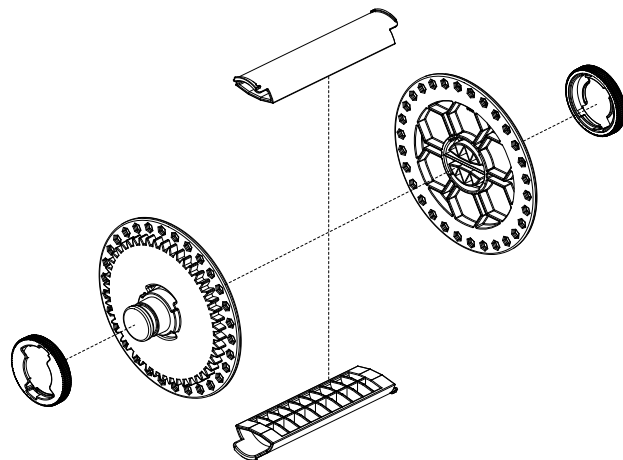
Setzen Sie das Spannfutter auf die Welle und schrauben Sie die Seitenplatte fest.



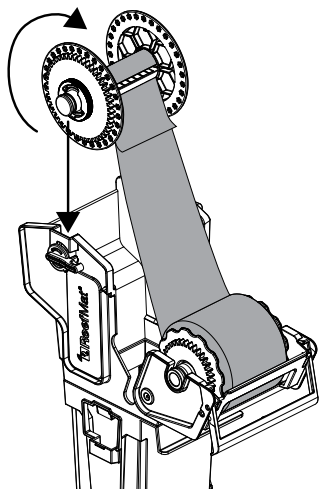
Öffnen Sie die Klappe und stecken Sie die Spindelwelle in die Aussparungen der Klappe, wobei das freie Materialende außen herunterhängt.



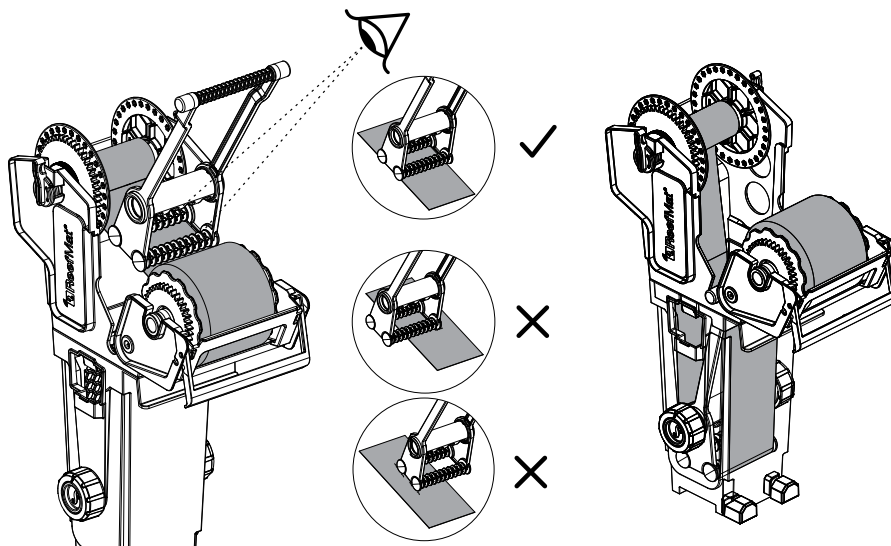
Hinweis: Nehmen Sie die Aufwickelwelle auseinander und wieder zusammen, um sich damit vertraut zu machen, wie dies geschieht. Dies erleichtert das Entfernen der ersten verbrauchten Rolle.



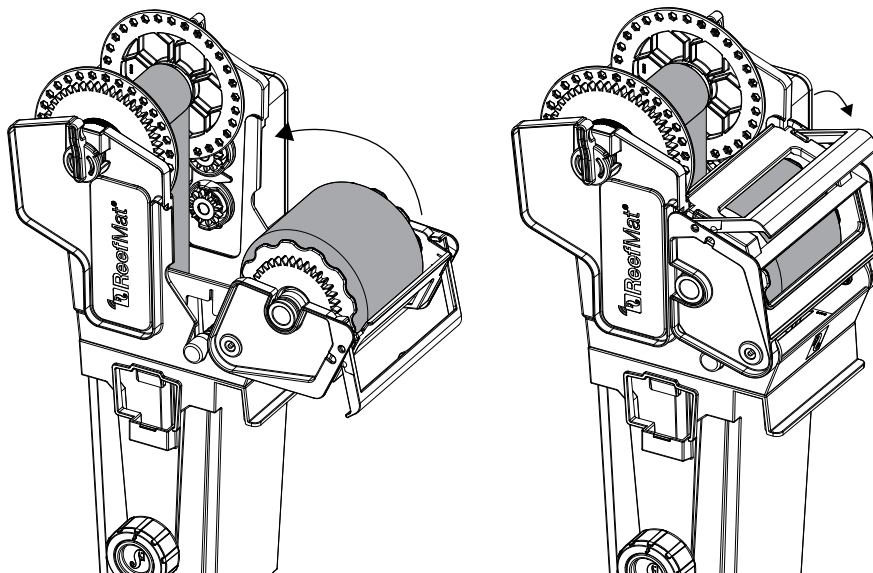
Fädeln Sie die freie Kante der Vliesmatte in den Schlitz in der Aufwickelwelle ein und drehen Sie die Oberseite einige Umdrehungen nach vorne (so dass das neue Material von der unteren Rückseite der Welle kommt), um das Material an der Welle zu befestigen. Senken Sie die Welle in ihre Betriebsposition im Kopf und drehen Sie sie leicht, während die Zahnräder auf der Welle in die Zahnräder auf der Antriebseinheit eingreifen. Schließen Sie die seitlichen Verriegelungen, um die Welle in Position zu halten.



Überprüfen Sie, ob die Dichtungen auf beiden Seiten des Halters montiert sind. Richten Sie die Außenrollen an den Außenkanten der Vliesmatte aus. Senken Sie den Halter vorsichtig in die Kammer ab, bis er fest am Boden sitzt und der Griff des Halters in seinem Schlitz im Kopf sitzt. Die Matte wickelt sich beim Absenken der Halterung auf natürliche Weise von der neuen Rolle ab, da sich die Aufwickelwelle nicht frei drehen kann.



Stellen Sie die Klappe wieder aufrecht und verriegeln Sie sie durch Absenken der Griff. Achten Sie darauf, dass das Vlies durch Drehen der Spendewalze gestrafft wird. Alternativ können Sie durch Drücken der Aufwickeltaste an der Antriebseinheit loses Material auf die Aufwickelrolle aufwickeln.



Aktivierung einer neuen Vliesmattenrolle

- Öffnen Sie die App und gehen Sie auf der Einstellungsseite zur „Installation neuer Rolle“ und wählen Sie die Option „Vollständige Rolle“. Dadurch wird das Gerät im normalen Betriebsmodus „Auto-Advance“ aktiviert. Wenn Sie keine vollständige Rolle installieren wollen, sehen Sie die Anweisungen „Teilrolle“ weiter unten.
- Beim Einbau einer neuen Rolle wird die gesamte Filterkammer mit einer sauberen Vliesmatte ausgekleidet und daher kann es einige Zeit dauern, bis die ursprüngliche Vliesmatte so weit verstopft ist, dass sie vorgeschoben werden kann. Auf der ReefBeat-Homepage wird die anfängliche Länge (38 cm / 15 Zoll) im Nutzungsfortschrittsbalken angezeigt, der in den Zählern „Heute“ und „Gesamtnutzung“ enthalten ist.
- Wenn Sie sicherstellen möchten, dass Sie die neue Rolle richtig eingelegt haben, verwenden Sie die Option „Manueller Vorschub“ auf der Einstellungsseite, um die Vliesmatte um die voreingestellte Standardlänge von 2 – 2,5 cm / 0,8“-1“ vorzuschieben.

Betrieb

Automatischer Vorlauf

Die ReefMat ist so konzipiert, dass sie die Vliesmatte jedes Mal automatisch um eine voreingestellte Länge vorschiebt, wenn der Wasserstand im Filter auf das Niveau des internen Wassersensors ansteigt. Die automatische Vorschubfunktion kann nach Bedarf deaktiviert/aktiviert werden unter: **Startseite**> **Einstellungsseite**
 > **Automatischer Vorlauf** Wenn aktiviert, wird die automatische Vorlauffunktion über die gesamte Länge der Rolle fortgesetzt, es sei denn, es tritt eine der folgenden Situationen ein: In solchen Fällen wird eine entsprechende Benachrichtigung an die ReefBeat-App gesendet, die Statusanzeige-LED am Antriebseinheit blinkt und die ReefMat wartet auf Ihren Eingriff, um das Problem zu lösen.

Erfolgt über einen Zeitraum von 6 Stunden kein automatischer Vorlauf, führt die Antriebseinheit einen automatischen Selbsttest von ca. 0,5 cm / 0,2 Zoll durch, der erkennt, ob die Vliesmatte gerissen ist.

Verklebte Matte

Falls die Vliesmatte aufgrund einer mechanischen Blockade nicht vorgeschoben werden kann (Aufwickelwelle klemmt oder dreht sich ohne Vliesvorschub) oder die Vliesmatte reißt, unterbricht die Antriebseinheit den Vorschub der Fleece-Matte und wartet auf Ihren Eingriff, um das Problem zu lösen. Die Statusanzeige-LED an der Antriebseinheit blinkt. Die ReefBeat App erhält eine Benachrichtigung und der Status auf der Homepage wird als „Verklebte-Matte“ angezeigt.

Wenn die Vliesmatte blockiert ist, hat sich höchstwahrscheinlich ein Tier, zB eine Schnecke, zwischen der Vliesmatte und einer der Rollen am Halter eingeklemmt. Gehen Sie wie folgt vor, um die Blockade zu lösen:

- Drücken Sie auf die Abrolltaste, bis sich ca. 2,5 cm / 1 Zoll der Vliesmatte von der Aufwickelrolle gelöst haben.
- Drehen Sie die Spenderrolle von Hand, um die gelöste Vliesmatte aufzunehmen. Dies kann die Ursache der Verstopfung lösen, ohne dass der Mattenhalter entfernt werden muss.
- Drücken Sie auf die Aufwickelknopf, bis sich die Vliesmatte etwa 5 cm oder 2 Zoll vorbewegt. Wenn die Blockade dadurch nicht behoben wird, gehen Sie wie folgt vor:
 - Frontklappe öffnen und Spenderrolle vom Kopf zur Klappe führen.
 - Heben Sie den Mattenhalter an und entfernen Sie ihn von der Vliesmatte.
 - Waschen Sie den Mattenhalter und stellen Sie sicher, dass sich die Führungsrollen frei drehen können.
 - Setzen Sie den Mattenhalter wieder auf die Vliesmatte und verriegeln Sie ihn wieder in seiner Position in der Filterkammer.
 - Spenderrolle wieder auf den Kopf stellen, Klappe schließen und Aufwickelknopf drücken, bis die Spenderrolle zu rotieren beginnt.

Dreht sich die Aufwickelwelle noch ohne Vliesvorschub oder ist die Vliesmatte gerissen, entfernen Sie die verbrauchte Vliesmatte aus der Aufwickelwelle (ggf. schneiden Sie die Vliesmatte zu) und legen Sie das Vlies wieder ein. Hinweis: Die Verbrauchszähler laufen normal weiter, da sie nicht durch das Entfernen von Material von der Aufwickelrolle beeinflusst werden.

Sobald der Stau behoben ist, starten Sie das Gerät entweder von ReefBeat aus neu, indem Sie die Taste „Fortsetzen“ drücken, oder direkt von der Antriebseinheit aus, indem Sie gleichzeitig 2 Sekunden lang auf die Auf-/Abspulen-Tasten drücken.

Hinweis: Wenn die verklemmte-Matte-Benachrichtigung am ersten Tag nach dem Einbinden der ReefMat in ReefBeat auftritt, überprüfen Sie, ob die Links-/Rechts-Einstellung für die Antriebseinheit korrekt ist. Die falsche Positionseinstellung der Antriebseinheit führt zum Zustand „Matte verklemmt“, sobald der erste Mattenvorschub erfolgt. Startseite>Einstellungsseite>weitere Einstellungen>Antriebsposition

Ende der Rolle

Wenn eine Rolle zu Ende ist, hört die Antriebseinheit auf, die Vliesmatte vorzuschieben, und wartet darauf, dass Sie eine neue Rolle einlegen. Die Statusanzeige-LED an der Antriebseinheit blinkt. Die ReefBeat-App erhält eine Benachrichtigung und der Status auf der Homepage wird als „Ende der Rolle“ angezeigt.

Sobald die neue Rolle installiert wurde, öffnen Sie die ReefBeat App und wählen Sie „Neue Rolle installieren“ auf der Einstellungsseite. Wenn Sie anstelle einer vollständig neuen Rolle eine teilweise verbrauchte Rolle installieren, lesen Sie die nachstehenden Anweisungen.

Kein Füllstandssensor

Wenn der Füllstandssensor nicht mit der Antriebseinheit verbunden ist, kann die ReefMat nicht funktionieren. Die Statusanzeige-LED an der Antriebseinheit blinkt. Die ReefBeat-App erhält eine Benachrichtigung und der Status auf der Homepage wird als „kein Füllstandssensor“ angezeigt.

Sobald der Sensor angeschlossen ist, kehrt die Antriebseinheit automatisch in den automatischen Vorlauf zurück.

Hochwasser

Wenn der Wasserstand im Technikbecken auf den Betriebswasserstand in der ReefMat-Filterkammer ansteigt (z. B. wenn die Hauptrückförderpumpe abgeschaltet wurde), unterbricht die Antriebseinheit den Versuch, die Vliesmatte vorzuschieben, bis der Wasserstand in der Filterkammer sinkt (z. B. wenn die Hauptrückförderpumpe wieder eingeschaltet wurde). Während der Hochwasserzustand erkannt wird, blinkt die Statusanzeige-LED und der Status in der ReefBeat App wird als „Hochwasser“ angezeigt.

Andere Einstellungen

Manueller Betrieb

Die Vliesmatte kann manuell durch Drücken der „Aufspulen“-Taste an der Seite der Antriebseinheit vorgeschoben werden. Die Länge der Vliesmatte richtet sich danach, wie lange die Taste gedrückt wird, aber die tatsächliche Länge wird aufgezeichnet und ist in das stündliche Abgabeprotokoll aufgenommen.

Ein manueller Vorschub der gleichen Länge wie der voreingestellte automatische Vorschub kann jederzeit durch Auswahl der manuellen Vorschuboption auf der Seite mit den Kopfeinstellungen erfolgen. (**Startseite>Einstellungsseite>manueller Vorlauf**) Dies kann als Test verwendet werden, um die ordnungsgemäße Funktion des Geräts zu bestätigen.

Mattenvorschub (Länge)

Die Antriebseinheit kann so eingestellt werden, dass sie die Vliesmatte automatisch von mindestens 0,5 cm - 1,0 cm / 0,2 - 0,4 Zoll bis zur vollen Länge der Filterkammer vorschiebt.

Die Standardvoreinstellung ist 2,0 - 2,5 cm / 0,8 - 1,0". Es wird empfohlen, diese Voreinstellung für die ersten Betriebstage beizubehalten, bis sich die durchschnittliche tägliche Nutzung auf einen normalen Wert einpendelt. Sobald der Tagesdurchschnitt ermittelt wurde, kann die Mattenvorschublänge angepasst werden, um die gewünschte Vorschubhäufigkeit zu erhalten.

So passen Sie die Länge des Mattenvorschubs an: **Startseite > Einstellungsseite > Weitere Einstellungen > Mattenvorschub**. Denken Sie daran, auf die Schaltfläche „Speichern“ zu klicken, um Ihre Änderungen zu übernehmen.

Rollenende Überwachung

Der geplante Vorlauf ermöglicht Ihnen jeden Tag einen langen Vliesmattenvorlauf zu einer bestimmten Uhrzeit voreinzustellen. Wenn zum Beispiel die durchschnittliche tägliche Nutzung 36 cm beträgt und Sie einen geplanten Vorschub von 12 cm einstellen, können Sie davon ausgehen, dass die ReefMat die Vliesmatte für etwa 8 Stunden nicht erneut verschieben muss. Dies ist nützlich, wenn Sie einen bestimmten Zeitraum ohne Geräusche sicherstellen möchten, z. B. während der Nacht für ein Aquarium, das sich in einem Schlafzimmer befindet. Diese Funktion ist nur verfügbar, nachdem der Tagesdurchschnitt ermittelt wurde. So aktivieren Sie den geplanten Vorlauf: **Startseite > Einstellungsseite > Weitere Einstellungen > Geplanter Vorlauf**. Denken Sie daran, auf die Schaltfläche „Speichern“ zu klicken, um Ihre Änderungen zu übernehmen.

End of roll monitor

Die Rollenende-Überwachung informiert Sie basierend auf dem täglichen Durchschnittsverbrauch über eine voreingestellte Anzahl von Tagen, bevor die Rolle aufgebraucht ist. Der Standardwert ist auf 5 Tage eingestellt. Dies kann geändert werden von: **Startseite>Einstellungsseite>Weitere Einstellungen>Rollenende Überwachung**. Denken Sie daran, auf die Schaltfläche „Speichern“ zu klicken, um Ihre Änderungen zu übernehmen.

ReefMat Daten

Bearbeiten der Position der ReefMat-Antriebseinheit

Wenn bei der Ersteinrichtung der ReefMat die falsche Position der Antriebseinheit ausgewählt wurde, kann diese Einstellung über **Homepage>Einstellungsseite>Weitere Einstellungen>Position der Antriebseinheit geändert werden**. Denken Sie daran, auf die Schaltfläche „Speichern“ zu klicken, um Ihre Änderungen zu übernehmen.

Einstellungen löschen

Um alle Benutzereinstellungen dauerhaft aus dem Speicher der ReefMat zu entfernen und sie auf ihren anfänglichen Standardzustand zurückzusetzen, führen Sie die folgenden Schritte aus.

Wenn das Gerät mit dem ReefBeat verbunden ist, lösen Sie die Hard-Reset-Option im Geräte-Manager aus: **Geräte-Manager > Hard-Reset**

Wenn das Gerät nicht mit dem ReefBeat verbunden ist, drücken Sie die Einstellungstaste etwa 15 Sekunden lang (bis die Wi-Fi-Anzeige-LED doppelt blinkt), lassen Sie die Taste los und warten Sie etwa 1 Minute, bis das Gerät neu gestartet wird.

Das Gerät wird ohne Benutzereinstellungen und mit eingeschaltetem Wi-Fi neu gestartet, genau so, wie es ab Werk geliefert wurde. Das Gerät behält die zuletzt installierte Version der Firmware bei.

ReefBeat liefert ein tägliches und stündliches Protokoll der Vliesmattennutzung für die letzten 30 Tage (7 Tage für Offline-Aquarien). Das Protokoll für die volle Rolle kann als .csv-Datei exportiert werden.

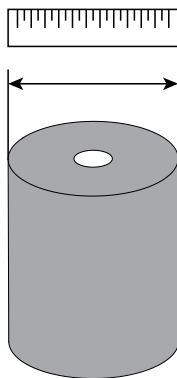
Darüber hinaus führt ReefBeat ein Rollprotokoll, das die Anzahl der Tage zeigt, für die vorherige Rolls verwendet wurden.

Teilrolle

Für den Fall, dass Sie eine teilweise verbrauchte Rolle Vlies-Matte entfernt haben und diese zu einem späteren Zeitpunkt verwenden möchten, sollten Sie beim Einbau als neue Rolle die Option „Teilrolle“ wählen.

Um die volle Funktionalität zu erhalten, messen Sie am besten den Außendurchmesser der Rolle, bevor Sie sie auf der Spenderwelle installieren, und geben Sie diesen Wert in die ReefBeat App ein.

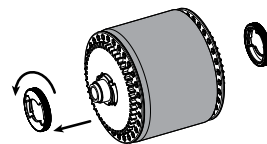
Als Richtwert beträgt der Durchmesser der Seitenscheibe 98 mm 3,9 Zoll.



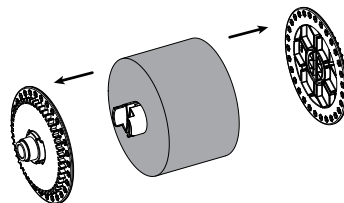
Wenn Sie den Durchmesser nicht eingeben, filtert die ReefMat das Aquarium weiterhin korrekt, aber das System kann die genaue Nutzung nicht überwachen und die Benachrichtigung über das Ende der Rolle wird deaktiviert.

Benutzte Vliesmatte von der Aufwickelwelle entfernen

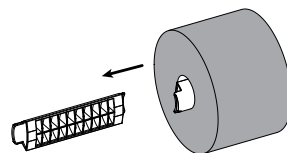
Entfernen Sie die Haltermuttern, indem Sie sie gegen den Uhrzeigersinn drehen.



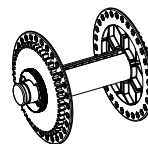
Entfernen Sie die Seitenscheiben, indem Sie die beiden Wellenhälften durch die Scheibe schieben.



Schieben Sie die 2 Schafthälften nacheinander aus der gebrauchten Vliesmatte heraus.



Bauen Sie die Aufwickelwelle für den nächsten Einsatz wieder zusammen.



Gerätewartung

Antriebseinheit

Für einen dauerhaft reibungslosen Betrieb der Antriebseinheit empfehlen wir, diese regelmäßig sauber, trocken und frei von Salzablagerungen zu halten.

Das Gerät ist nicht wasserdicht. Nicht in Wasser oder andere Lösungen eintauchen.

Nicht öffnen, es gibt keine vom Benutzer zu wartenden Teile in der Antriebseinheit.

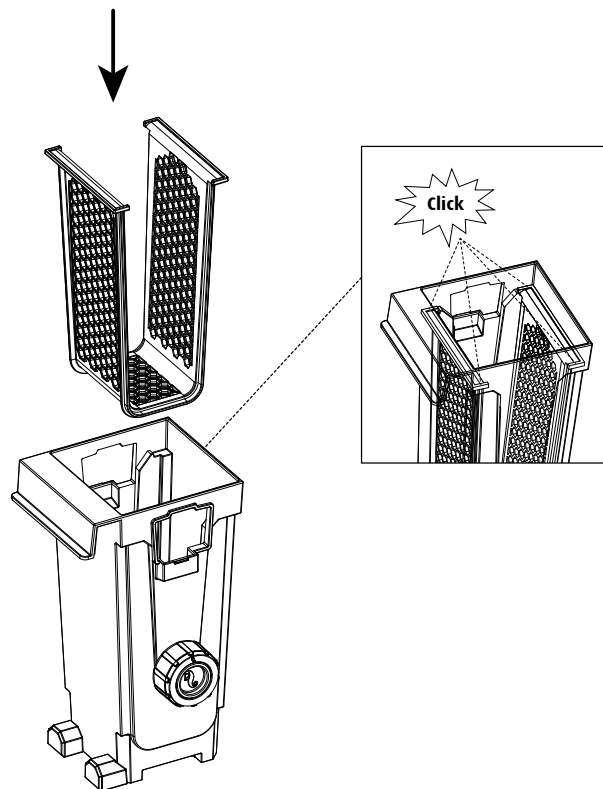
Wasserstandssensor

Wir empfehlen, den Sensor von Algenbewuchs oder Salzablagerungen freizuhalten. Der Sensor ist wasserdicht und kann bedenkenlos unter fließendem Wasser gewaschen werden. Die Titanspitzen können gebürstet werden, um harte Ablagerungen zu entfernen.

Filterkammer Bestandteile

Es wird empfohlen, die Mattenhalterung und das Filtergitter bei jedem Austausch der Vliesmatte zu spülen, um die Ansammlung von Bakterien, Algen oder Meerestieren zu verhindern, die zu Verstopfungen oder Rissen führen könnten.

Hinweis: Befestigen Sie das Gitter nach dem Zusammenbau, indem Sie die Oberkanten gegen das Gehäuse drücken.



Fehlersuche

Eine vollständige und aktuelle FAQ für die ReefMat und die ReefBeat-App ist in der App (**Startseite Hauptmenü > Hilfe > FAQ**) und auf unserer Website verfügbar.

- Q.** Ich habe Probleme bei der Installation der ReefBeat App oder sie stürzt ab oder scheint nicht wie im Handbuch beschrieben zu funktionieren.
- A.** Überprüfen Sie, ob Ihr spezifisches Mobilgerät auf der Liste der unterstützten Geräte auf unserer Website aufgeführt ist.
- Q.** Mein Handy steht auf der Liste der unterstützten Geräte, stürzt aber ständig ab.
- A.** Deinstallieren und installieren Sie die App erneut und melden Sie sich erneut mit Ihrem Benutzernamen und Passwort an. Wenn dies nicht hilft, wenden Sie sich an den Kundendienst.
- Q.** Ich habe Schwierigkeiten, die ReefMat mit meinem Heimnetzwerk zu verbinden.
- A.** Überprüfen Sie, ob das WLAN der ReefMat ordnungsgemäß funktioniert, indem Sie die Option „Offline Direct Mode“ verwenden. Wenn dies der Fall ist, versuchen Sie, sich mit dem Hotspot eines Mobiltelefons im selben Raum zu verbinden: **Geräte-Manager > Geräteleitungs Menü > Info > Verbinden**. Wenn keine dieser Optionen funktioniert, wenden Sie sich an den Kundendienst. Wenn sie funktionieren, liegt das Problem wahrscheinlich an der Signalstärke oder Konfiguration des Routers, oder er ist möglicherweise mit Geräten überlastet.

- Überprüfen Sie, ob die Signalstärke Ihres Routers genau dort, wo sich die ReefMat befindet, für eine stabile Verbindung ausreicht. Möglicherweise müssen Sie einen geeigneten WLAN-Extender näher am Aquarium installieren.
 - Möglicherweise sind bereits zu viele Geräte mit dem Router verbunden.
 - Ihr Router ist möglicherweise so konfiguriert, dass Geräte wie die ReefMat nicht verbunden werden können. Diese Situation ist in einer Büroumgebung üblich, wenden Sie sich an Ihren IT-Experten.
- Q.** Ich erhalte ständig Benachrichtigungen, dass meine ReefMat nicht verbunden ist.
- A.** Wenn Ihr Netzwerkrouter nicht permanent mit dem Internet verbunden ist, stellen Sie Ihr Aquarium auf „Offline“ **Meine Aquarien > Gerätemenü > Offline**. Wenn Ihr Netzwerkrouter dauerhaft verbunden sein soll, überprüfen Sie die Qualität der Wi-Fi-Verbindung zwischen der ReefMat und Ihrem Router oder die Stabilität Ihrer Internetverbindung.
- Q.** Ich habe die ReefMat gerade zum ersten Mal eingerichtet oder gerade wieder in die ReefBeat App eingebunden und die Auf- und Abwickeltasten auf der Antriebseinheit scheinen in die entgegengesetzte Richtung zu funktionieren.
- A.** Überprüfen Sie, ob die Links/Rechts-Einstellung für die Antriebseinheit korrekt ist. Eine falsche Einstellung führt dazu, dass sich die Aufwickelwelle in die entgegengesetzte Richtung dreht. Wenn dies nicht korrigiert wird, stoppt der erste manuelle oder

automatische Vorlauf das Gerät und Sie erhalten die Benachrichtigung „Verstopfte Matte“. Um die Position der Antriebseinheit zu überprüfen/zurückzusetzen: **Startseite>Einstellungsseite>weitere Einstellungen>Position der Antriebseinheit**.

Q. Wasser fließt oben aus der Filterkammer und die Vliesmatte bewegt sich nicht

A. Bitte überprüfen Sie Folgendes:

- Der ReefMat-Sensor ist korrekt in seiner Betriebsposition an der Filterkammer installiert.
- Die Titanstifte an der Unterseite des ReefMat-Sensors sind sauber und frei von organischen/mineralischen Ablagerungen.
- Der Auto-Advance auf der Einstellungsseite der ReefBeat App wurde eingeschaltet und Sie haben oben auf der Seite auf die Schaltfläche „Speichern“ geklickt.
- Sie haben ein Salzwassersystem. Der ReefMat-Sensor erkennt kein Süßwasser oder Brackwasser mit niedrigem Salzgehalt.

Q. Der Wasserstand in der Filterkammer scheint nicht zu steigen und die Vliesmatte bewegt sich nicht.

A. Wenn es sich um eine neu installierte Einheit handelt, kann es etwa einen Tag dauern, bis die anfängliche Vliesmatte, die die Filterkammer auskleidet, so stark verstopft ist, dass ein Vorschub verursacht wird. Überprüfen Sie in einem etablierten System, ob die Einstellung der Mattenvorschub-Länge eine angemessene Länge hat, um regelmäßige Vorschübe in dem von Ihnen erwarteten Zeitrahmen zu bewirken. Stellen Sie außerdem sicher, dass kein langer „geplanter-Vorschub“ implementiert ist. Wenn alle Einstellungen korrekt sind, prüfen Sie, ob eines der folgenden Probleme dazu führt, dass das Wasser ganz oder teilweise an der Vliesmatte vorbeiströmt:

- Der Einlassschlauch ist nicht fest mit dem Einlassanschluss verbunden oder es fehlt die Silikondichtung.
- Der Stopfen des Einlassanschlusses dichtet den unbenutzten Einlassanschluss nicht richtig ab.
- Der Mattenhalter sitzt nicht richtig in der Filterkammer.
- Die Vliesmatte in der Filterkammer ist perforiert oder verdreht.

Garantie

Eingeschränkte Garantie für Red Sea Aquarienprodukte.

Die beschränkte Garantie legt alle Verantwortlichkeiten von **Red Sea Aquatics Ltd (Red Sea)** in Bezug auf dieses Produkt fest. Es gibt keine weiteren ausdrücklichen oder stillschweigenden Garantien von Red Sea.

Red Sea garantiert Ihr Produkt für einen Zeitraum von 24 Monaten, gültig ab dem Datum des Originalkaufs, gegen Material- und Verarbeitungsfehler und wird dieses Produkt kostenlos (ohne Versandkosten) mit neuen/überholten Teilen reparieren. Schäden am internen Dosierschlauch sind nicht eingeschlossen, da es sich hierbei um ein Verschleißteil handelt. Voraussetzung für die Gewährleistung ist, dass die vorgeschriebene Einrichtungsroutine eingehalten wird. Falls während oder nach der Garantiezeit ein Problem mit diesem Produkt auftritt, wenden Sie sich an Ihren Händler oder an Red Sea (unter der angegebenen Firmenadresse), um Einzelheiten über das nächstgelegene autorisierte Servicezentrum zu erfahren.

Die Garantie gilt nur für den Erstkäufer. Ein Nachweis des Kaufdatums ist erforderlich, bevor Garantieleistungen erbracht werden können. Diese Garantie deckt nur Ausfälle aufgrund von Material- oder Verarbeitungsfehlern ab, die bei normalem Gebrauch auftreten. Sie deckt keine Schäden ab, die während des Transports entstanden sind, oder Ausfälle, die durch Missbrauch, Vernachlässigung, unsachgemäße Installation, Bedienung, falsche Handhabung, falsche Anwendung, Änderung, Modifikation oder Wartung durch andere Personen als ein autorisiertes Red Sea-Servicezentrum entstanden sind. Red Sea haftet nicht für Neben- oder Folgeschäden, die sich aus der Verwendung dieses Produkts ergeben oder die aus einer Verletzung dieser Garantie resultieren. Alle ausdrücklichen und stillschweigenden Garantien, einschließlich der Garantien der Verkäuflichkeit und der Eignung für einen bestimmten Zweck, sind auf die oben angegebene Garantiezeit beschränkt.

Diese Aussagen berühren nicht die gesetzlichen Rechte des Verbrauchers.

USA

In einigen Staaten ist der Ausschluss oder die Beschränkung von Neben- oder Folgeschäden oder die Beschränkung der Dauer einer stillschweigenden Garantie nicht zulässig, sodass der obige Ausschluss oder die Beschränkungen möglicherweise nicht gültig ist.

FCC-Konformitätserklärung:

Dieses Gerät erfüllt die Anforderungen von Teil 15 der FCC-Bestimmungen. Der Betrieb unterliegt den folgenden zwei Bedingungen: (1) Dieses Gerät darf keine schädlichen Interferenzen verursachen, und (2) dieses Gerät muss alle empfangenen Interferenzen tolerieren, einschließlich Interferenzen, die einen unerwünschten Betrieb verursachen können. Jegliche Änderungen oder Modifikationen, die nicht ausdrücklich von Red Sea genehmigt wurden, können die Berechtigung des Benutzers zum Betrieb des HF-Moduls und/oder des Produkts, in das das HF-Modul eingebaut ist, aufheben. Der Benutzer wird darauf hingewiesen, einen Abstand von 20 cm (8 Zoll) zum Produkt einzuhalten, um die Einhaltung der FCC- Bestimmungen zu gewährleisten.

CE-Konformitätserklärung:

Das Gerät entspricht der RF-Expositionsanforderung 2014/53/EU, Empfehlung des Rates zur Begrenzung der Exposition der breiten Öffentlichkeit gegenüber elektromagnetischen Feldern (0-300 GHz). Diese Ausrüstung erfüllt die folgenden Konformitätsstandards: EN 300 328, EN 301 489-17.



ENTSORGUNG: Dieses Produkt darf nicht als ungetrennter Kommunalabfall entsorgt werden. Eine getrennte Sammlung solcher Abfälle zur speziellen Behandlung ist erforderlich.

Dieses Produkt darf nicht zusammen mit dem Hausmüll entsorgt werden. Dieses Produkt muss an einer autorisierten Stelle für das Recycling von elektrischen und elektronischen Geräten entsorgt werden.

Durch das Sammeln und Recyceln von Abfällen tragen Sie dazu bei, die natürlichen Ressourcen zu schonen, und stellen sicher, dass das Produkt auf umweltfreundliche und gesundheitlich unbedenkliche Weise entsorgt wird.

Red Sea Aquatics (GZ) Ltd.

Block 2-4, No.168, West Yingbin Road,
Xinhua Industrial Park,
Huadu District, Guangzhou City,
China, Postal code 510812.

ReefMat® 250

Smart- Plug&Play®- Efficace

Notice d'utilisation

 **Red Sea**

Contenu

Introduction.....	65
Éléments du ReefMat.....	66
Sécurité.....	67
Aperçu.....	68
Caractéristiques du filtre à rouleaux intelligent ReefMat.....	68
Avantages des filtres à rouleaux par rapport aux filtres mécaniques fixes.....	69
Conditions d'installation du filtre à rouleaux ReefMat.....	69
Installation du ReefMat.....	72
Voyants LED.....	75
Bouton de réglages - Fonction.....	76
Boutons Enroulage/Déroulage.....	76
Connexion et configuration initiale.....	77
Mise en place d'un nouveau rouleau de tissu.....	77
Mise en service d'un nouveau rouleau de tissu.....	81
Fonctionnement.....	82
Autres réglages.....	84
Journal du ReefMat.....	85
Rouleau Entamé.....	86
Retirer le tissu usagé de l'enrouleur.....	86
Maintenance de l'équipement.....	87
Dépannage.....	88
Garantie.....	90

Introduction

Félicitations pour votre achat d'un ReefMat® de Red Sea.

ReefMat est un filtre à rouleaux intelligent, plug & play, entièrement automatisé, qui maintient l'eau de votre aquarium cristalline pendant des semaines.

Conçu pour les récifalistes, le ReefMat est doté d'un système de remplacement facile qui permet de changer le rouleau sans avoir à retirer le filtre de la décantation ou arrêter les pompes .

ReefMat est équipé d'un bloc moteur intelligent qui gère et contrôle la longueur exacte de tissu utilisé. Il est aussi doté de nombreuses autres fonctionnalités uniques.

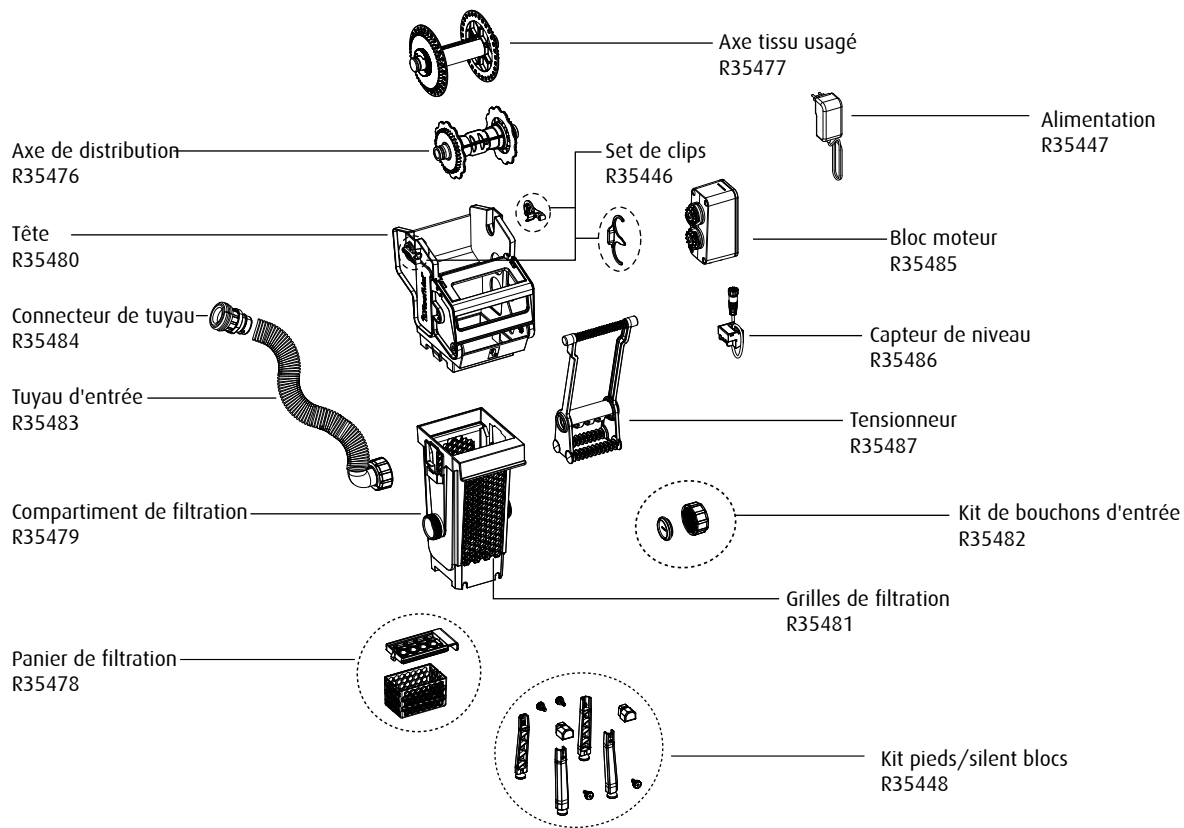
ReefMat fait partie de la gamme des équipements intelligents Red Sea fonctionnant en Wi-Fi grâce à l'appli ReefBeat® qui doit être installée sur smartphone ou tablette avec une connexion Internet.

Bienvenue dans l'univers récifal intelligent Red Sea.

Récifalement,

La Red Sea Team

Éléments du ReefMat



Sécurité

MERCI DE LIRE ET SUIVRE LES CONSIGNES DE SECURITE.

CET APPAREIL EST DESTINÉ À UN USAGE DOMESTIQUE ET INTÉRIEUR UNIQUEMENT.

DANGER : Pour éviter tout risque de choc électrique, un soin particulier doit être apporté à la manipulation d'un aquarium en eau. Pour chacune des situations suivantes, ne tentez pas de réparer vous-même le dispositif, retournez la partie défectueuse du produit au service après-vente.

ATTENTION : Pour prévenir toute blessure, des précautions basiques de sécurité devront être suivies :

Ne faites pas fonctionner un appareil dont le câble ou la prise est endommagé, qui présente un défaut de fonctionnement ou qui est tombé ou endommagé de quelque manière que ce soit.

Cet équipement peut être utilisé par des enfants à partir de 8 ans et par des personnes aux capacités physiques, sensorielles ou mentales réduites ou manquant d'expérience et de connaissances, à condition qu'ils aient reçu une assistance ou des instructions concernant l'utilisation de l'appareil en toute sécurité et qu'ils comprennent les risques encourus. Les enfants ne doivent pas jouer avec l'équipement. Le nettoyage et l'entretien ne doivent pas être effectués par des enfants sans surveillance.

L'équipement ne doit être utilisé qu'avec le bloc d'alimentation fourni.

Une surveillance étroite est nécessaire lorsqu'un équipement est utilisé par ou à proximité d'enfants.

Pour éviter toute blessure, ne pas toucher les pièces mobiles.

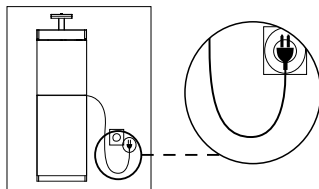


Figure 1: Boucle anti-goutte

Débranchez toujours un appareil de la prise lorsqu'il n'est pas utilisé, avant de monter ou de démonter des pièces et avant de le nettoyer. Ne tirez jamais sur le câble lui-même pour débrancher la fiche de la prise. Saisissez la fiche et tirez pour la débrancher.

N'utilisez pas un équipement pour un usage autre que celui pour lequel il a été conçu. L'utilisation de pièces non recommandées ou vendues par le fabricant de l'équipement peut entraîner des conditions de danger.

N'installez pas et ne stockez pas l'équipement dans un endroit où il sera exposé aux intempéries ou à des températures inférieures à zéro.

Assurez-vous que l'équipement est bien installé avant de le faire fonctionner.

Lisez et respectez toutes les consignes importantes figurant sur l'équipement.

Note : Un cordon dont la capacité en ampères ou en watts est inférieure à celle de l'équipement peut surchauffer. Veillez à placer le cordon de manière à ce qu'on ne puisse pas trébucher dessus ou le tirer accidentellement. Ne pas utiliser si le cordon est endommagé. En cas de besoin, n'essayez pas de remplacer ou de réparer vous-même l'équipement, retournez-le à un centre de service autorisé pour le faire réparer ou mettez-le au recyclage.

Caractéristiques :

Température de fonctionnement : 5 à 45°C

Hygrométrie : 15-85%RH

Alimentation : 100-240V 50/60Hz

Valeur nominale : 1A, @10W Max.

Tension de fonctionnement : 12 Vdc

Fréquence de fonctionnement : 2402 - 2480 MHz

Puissance maximale : 32.43 mW

Aperçu

Le ReefMat est un filtre mécanique qui élimine les particules de l'eau de l'aquarium en la faisant passer à travers un matériau filtrant tissé (tissu) qui piège physiquement les particules plus grandes que ses mailles.

Le ReefMat est conçu pour être placé sous un aquarium, à l'intérieur de la décantation. Il est alimenté soit par gravité avec de l'eau provenant directement de l'aquarium, soit par une pompe dédiée qui se trouve également dans la décantation.

Le tissu est fourni sous la forme d'un rouleau qui passe par une succession de grilles à l'intérieur du compartiment de filtration.

Le compartiment de filtration du ReefMat est ouvert en bas et lorsque le tissu est neuf, le niveau d'eau à l'intérieur du compartiment sera au même niveau que dans la décantation. Plus le tissu filtrant retient de particules, plus le niveau d'eau à l'intérieur du compartiment de filtration monte.

Un capteur situé en haut du filtre détecte l'élévation du niveau d'eau et, à un point prédéfini, déclenche l'avancement automatique du tissu, distribuant ainsi une longueur prédéfinie de matériau propre ce qui fait baisser le niveau d'eau à l'intérieur de l'unité. Ce processus s'exécute automatiquement pour l'intégralité du rouleau qui doit ensuite être remplacé.

Caractéristiques du filtre à rouleaux intelligent ReefMat

Conçu pour les récifalistes, le ReefMat est doté d'un système de remplacement facile qui permet de changer le rouleau sans avoir à retirer le filtre de la décantation ou arrêter les pompes.

ReefMat comprend un capteur de niveau monobloc fiable et un bloc moteur intelligent inédit qui gère et contrôle la longueur exacte de tissu utilisé. ReefMat est connecté en Wi-Fi à l'écosystème intelligent ReefBeat de Red Sea. Il vous avertira quelques jours avant que le tissu n'ait besoin d'être remplacé ou s'il a besoin de votre intervention. Le système vous présente un journal d'utilisation quotidien horaire pour contrôler les performances de votre rouleau actuel et conserve même un historique de vos rouleaux précédents.

Le bloc moteur (brevet déposé), entraîne l'axe d'enroulement du tissu usagé tout en enregistrant la rotation de l'axe de distribution du tissu neuf. Ce dispositif permet l'arrêt immédiatement du moteur s'il détecte que le tissu est bloqué ou déchiré et envoie une notification à l'appli ReefBeat.

Le double capteur de niveau est monté en haut du compartiment de filtration et détecte le niveau interne et externe. Le capteur interne est destiné au fonctionnement régulier du ReefMat alors que le capteur externe détectera s'il y a élévation du niveau d'eau de la décantation (par exemple suite à l'arrêt de la pompe de remontée) et arrêtera la distribution de tissu si besoin.

Le panier de filtration intégré en sortie du ReefMat améliore les performances de tous les médias de filtration en garantissant le passage uniquement d'eau filtrée.

Avantages des filtres à rouleaux par rapport aux filtres mécaniques fixes

Les filtres mécaniques fixes tels que les micron bags, le perlon, les mousses, etc. sont efficaces pour piéger les particules. Cependant, tant que ces filtres ne sont pas retirés et nettoyés, les particules piégées restent dans l'eau et se décomposent progressivement en apportant des nutriments (nitrates et phosphates) à l'aquarium. L'utilisation d'un filtre à rouleau correctement dimensionné éliminera physiquement toutes les particules collectées en une journée environ, ce qui réduira considérablement leur décomposition. En raison de l'efficacité du ReefMat, en particulier avec le charbon dans le panier de filtration intégré, vous pouvez remarquer une baisse des niveaux de nutriments peu de temps après sa mise en place dans un bac déjà mature.

Systemes Red Sea

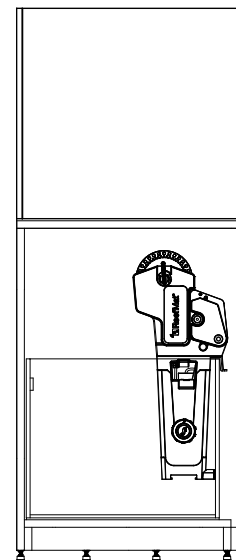
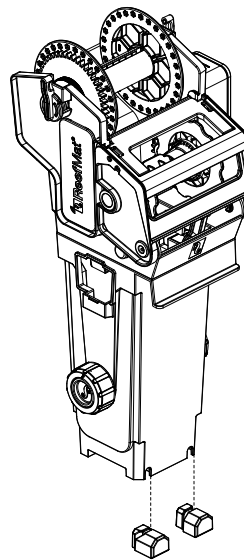
Si vous voulez adapter le ReefMat sur un aquarium Red Sea REEFER ou MAX, consultez les options d'installation conseillées sur notre site web : <https://www.redseafish.com/fr/reefmat-installation-options>



Conditions d'installation du filtre à rouleaux ReefMat

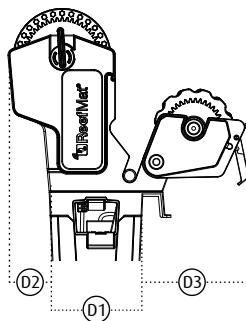
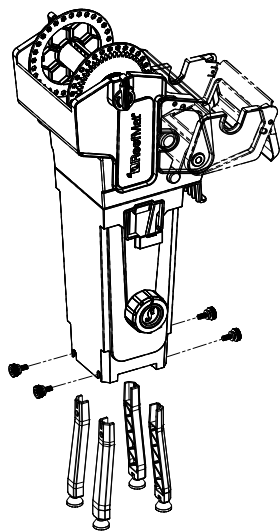
Installation accrochée

Pour faciliter la maintenance il est recommandé de pendre le ReefMat à la paroi avant de la décantation. Dans ce cas, insérez les cales en caoutchouc en bas du compartiment de filtration.



Installation au sol

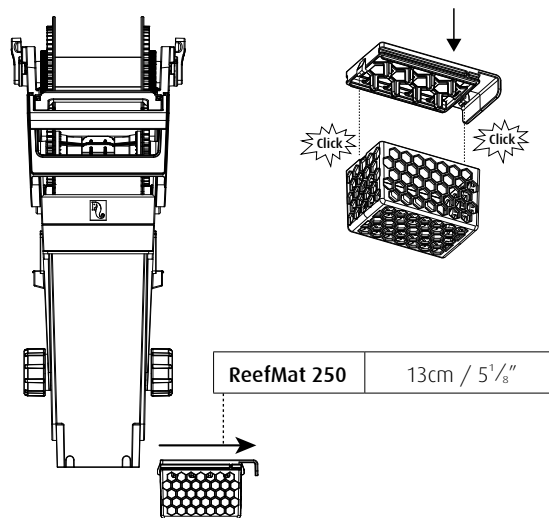
Fixez les 4 pieds à la base du compartiment de filtration et assurez-vous qu'il y a suffisamment d'espace devant le ReefMat pour ouvrir complètement le rabat frontal.



	ReefMat 250
D1	11.5cm / 4 ¹⁷ / ₃₂ "
D2	5cm / 1 ³¹ / ₃₂ "
D3	13cm / 5 ¹ / ₈ "

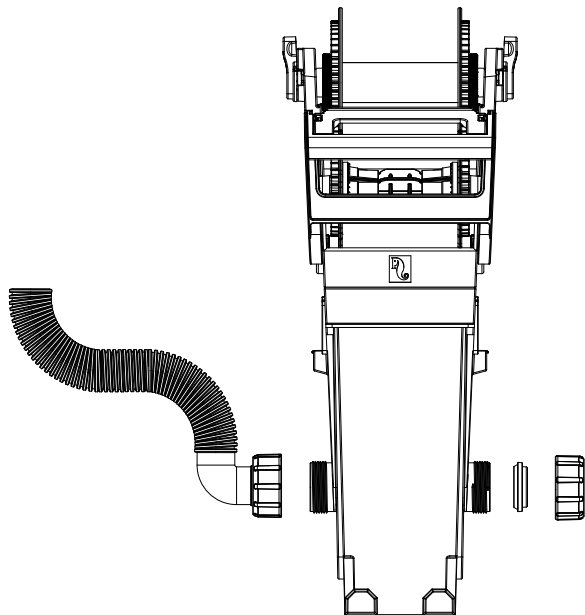
Panier de filtration

Si vous prévoyez d'utiliser le panier de filtration, assurez-vous qu'il y a suffisamment de place pour le faire glisser complètement sur un côté du compartiment de filtration.



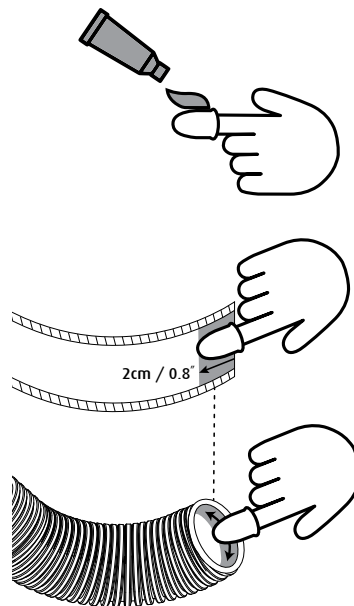
Tuyau d'entrée

Le tuyau d'admission annelé anti-torsion est fourni avec une extrémité prête à être raccordée à l'une des buses d'entrée de chaque côté du compartiment de filtration.

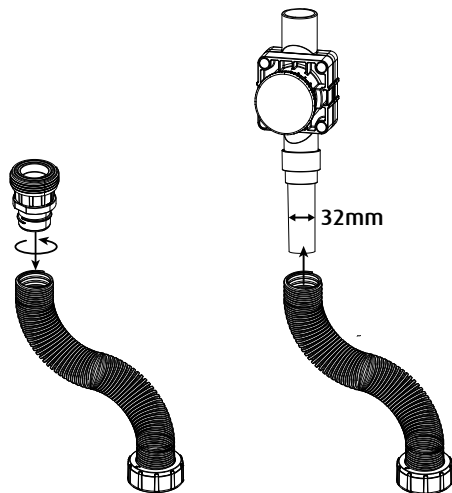


Coupez l'extrémité du tuyau à la longueur requise pour votre installation. En utilisant la protection pour les doigts fournie, étalez une petite quantité de colle sur les premiers 2 cm de la surface interne du tuyau et vissez le connecteur du tuyau jusqu'à ce qu'il soit bien serré. Retirez l'excédent de colle de l'intérieur du tuyau.

FR



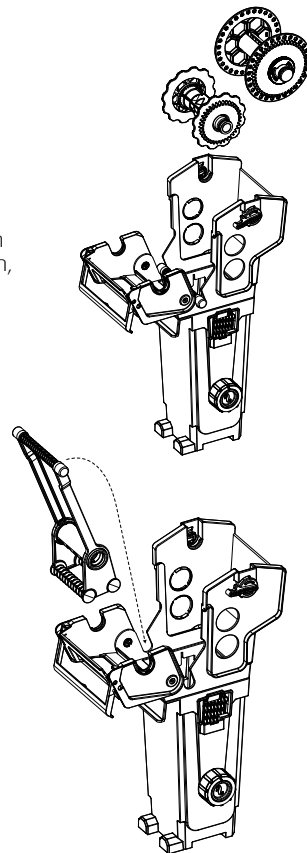
Note: Cette pièce a un filetage vers la gauche. Le tuyau peut être utilisé avant que la colle ne soit sèche. L'autre côté du connecteur universel peut être collé à un tuyau standard en PVC de 32 mm.



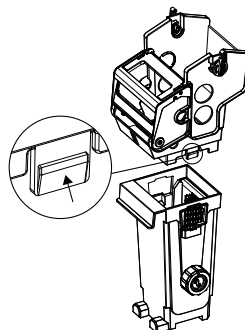
Il est également possible de fixer l'extrémité du tuyau annelé anti-torsion directement sur un tube PVC standard de 32 mm de diamètre, comme c'est le cas dans la plupart des aquariums Reefer de Red Sea. Cette jonction n'est pas sous pression, cependant, il est conseillé d'utiliser la colle liquide et de sécuriser le tuyau annelé anti-torsion en place avec un collier de serrage.

Installation du ReefMat

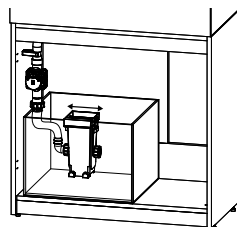
Tournez les verrous de l'axe de tissu usagé en position ouverte et retirez l'axe de tissu usagé de la tête du ReefMat. Ouvrez le rabat avant en soulevant la poignée et en la faisant tourner vers l'avant jusqu'à sa position horizontale, retirez l'axe de distribution, retirez le guide de rouleau avant, fermez le rabat et verrouillez-le en abaissant la poignée.



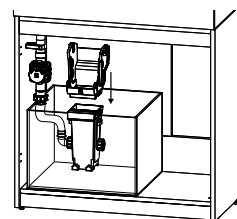
Retirez la tête du ReefMat du compartiment de filtration en appuyant sur les loquets latéraux tout en la soulevant.



Placez le compartiment de filtration à l'endroit désiré dans la décantation et raccordez le tuyau d'admission au port d'entrée situé sur le côté gauche ou droit du compartiment de filtration.



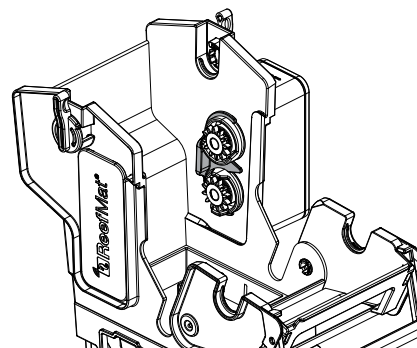
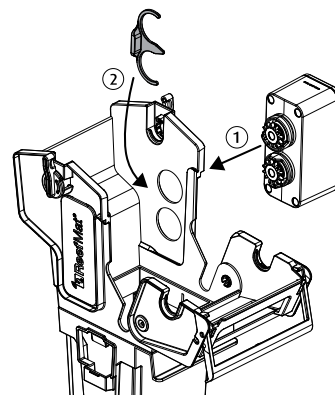
Assurez-vous que les grilles de filtration avant et arrière sont bien en place dans le compartiment et fixez la tête du ReefMat en la clipsant.



Connectez l'alimentation à la prise électrique à 2 broches à l'arrière de l'unité de commande.

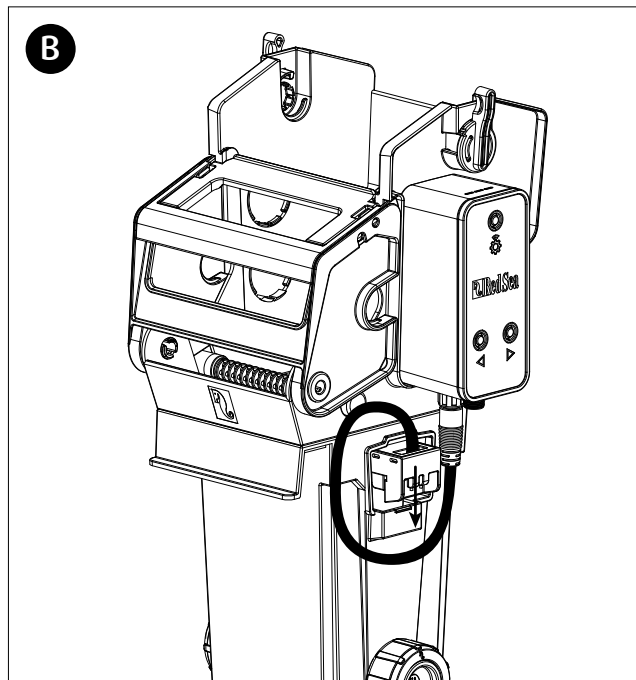
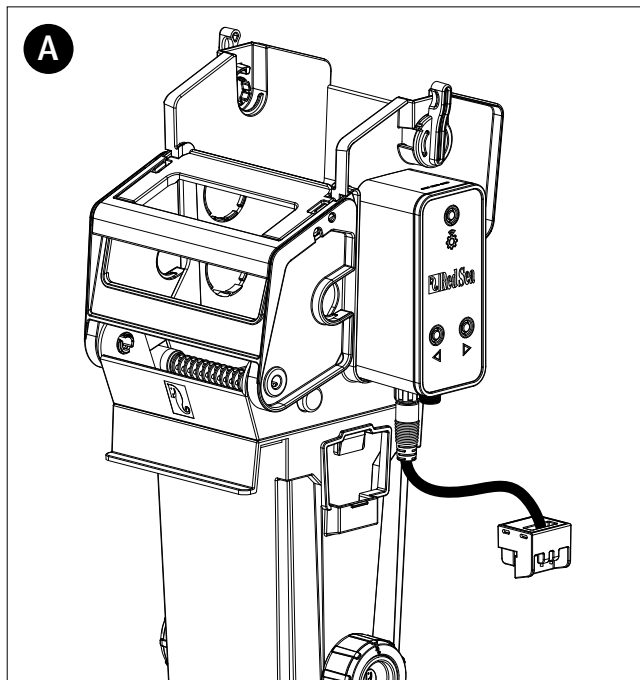
Connectez le capteur de niveau d'eau à la prise à 4 broches à l'arrière du bloc moteur.

Montez le bloc moteur sur le côté gauche ou droit de la tête du ReefMat et fixez-le avec le clip fourni. Assurez-vous que vous avez assez de place sur le côté du bloc moteur pour commander les boutons de réglage Wi-Fi et Enrouler/Dérouler.



FR

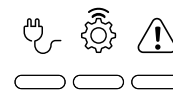
Montez le capteur de niveau en position de fonctionnement sur le compartiment de filtration.



Placez le bloc d'alimentation derrière le meuble et branchez-le sur une prise murale ou une multiprise appropriée. Vérifiez que le voyant lumineux situé à l'avant du bloc moteur est allumé.

Connectez le bloc moteur à l'appli ReefBeat et terminez la configuration initiale avant d'installer le tissu.

Voyants LED



FR



Voyant d'alimentation :

- Voyant rouge fixe - L'alimentation DC est opérationnelle.
- Pas de voyant rouge - L'alimentation DC n'est pas opérationnelle.



Voyants de réglage :

- Voyant rouge fixe - Le ReefMat est connecté au réseau domestique.
- Voyant rouge clignotant - Le ReefMat est en mode Point d'Accès Wi-Fi (PA) (peut être détecté par d'autres équipements Wi-Fi).
- Pas de voyant rouge - le Wi-Fi du ReefMat est désactivé.
- Double clignotement - indique un changement de statut / une fin de processus.



Voyant d'état :

- Aucune voyant rouge - le ReefMat fonctionne normalement.
- Voyant rouge clignotant - indique que le mode Déroulage automatique a été suspendu pour l'une des conditions suivantes : Niveau d'eau élevé, Capteur de niveau déconnecté, Tissu bloqué, Fin du rouleau. **Une pression simultanée sur les boutons Enroulage/Déroulage réinitialise le ReefMat en mode Avance Automatique.**

Bouton de réglages - Fonction

Si le voyant est éteint (le Wi-Fi du ReefMat est désactivé) :

Appuyer sur le bouton pendant 5 secondes (jusqu'au double clignotement) active le mode PA du Wi-Fi.

Si le voyant lumineux clignote (le Wi-Fi du ReefMat est en mode PA) : Appuyez sur le bouton pendant 5 secondes (jusqu'au double clignotement) pour désactiver le Wi-Fi.

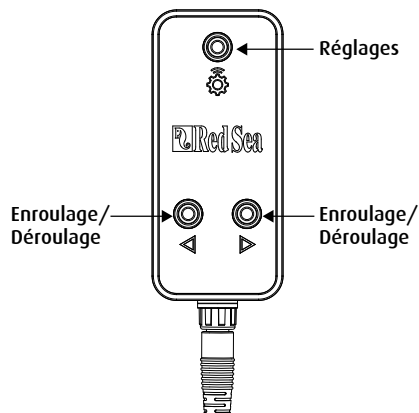
Si le voyant est allumé (le Wi-Fi du ReefMat est connecté à un réseau Wi-Fi) : Appuyer sur le bouton pendant 5 secondes (jusqu'au double clignotement) déconnecte le ReefMat du réseau et le fait passer en mode PA Wi-Fi. (Note : avant de déconnecter un ReefMat d'un réseau, supprimez le ReefMat de l'appli ReefBeat via le gestionnaire d'équipements). Note : Tous les réglages sont conservés et peuvent être restaurés lorsqu'on se reconnecte à ReefBeat.

Effacer les réglages : En appuyant sur le bouton pendant 15 secondes (jusqu'au double clignotement rapide), vous supprimez tous les réglages de l'utilisateur et désactivez le Wi-Fi. Terminez le processus de réinitialisation en déconnectant et en reconnectant l'alimentation DC.

Boutons Enroulage/Déroulage

Appuyer sur le bouton Enroulage libérera le tissu du rouleau distributeur et l'enroulera (▷) sur le rouleau de tissu usagé.

Appuyer sur le bouton Déroulage (<◁) libérera le matériau usagé du rouleau récepteur mais il ne sera pas automatiquement réenroulé sur le rouleau distributeur. Cette action sert principalement à relâcher la tension sur le rouleau récepteur afin qu'il puisse être facilement retiré de son axe.



Note : Le sens de rotation des boutons Enroulage/Déroulage est défini par l'orientation du bloc moteur lors de l'installation. La position par défaut est du côté droit. Dans ce cas les boutons fonctionneront dans le bon sens, même avant la connexion à ReefBeat. Dans le cas d'une installation sur le côté gauche, les boutons fonctionneront dans la direction opposée mais vous pourrez changer le sens une fois connecté à ReefBeat.

Connexion et configuration initiale

Téléchargez et installez l'appli ReefBeat à partir de l'App Store ou de Google Play selon votre smartphone.

Si c'est votre premier équipement sur ReefBeat, vous devrez créer un compte et entrer quelques informations sur votre aquarium. Si vous ne disposez pas d'une connexion Internet permanente, définissez l'aquarium comme "Hors Ligne".

Réglez votre ReefMat en mode PA (Point d'Accès) en appuyant sur le bouton de réglage pendant 5 secondes (jusqu'au double clignotement). Le voyant lumineux doit clignoter.

Cliquez sur le bouton Ajouter un équipement sur la page du Gestionnaire d'équipements, sélectionnez l'icône de l'équipement et suivez les instructions de l'appli. Cela peut prendre quelques secondes. Si aucun appareil n'apparaît dans la liste, vérifiez que le ReefMat est en mode PA et/ou rafraîchissez la page.

L'appli ReefBeat affichera une liste des réseaux Wi-Fi et des intensités de signal disponibles conditionnés par l'emplacement du ReefMat dans votre lieu de vie. Sélectionnez le réseau souhaité et attendez quelques instants que le ReefMat s'y connecte. Le voyant lumineux sera maintenant rouge fixe. Suivez les instructions de l'appli pour les réglages initiaux.

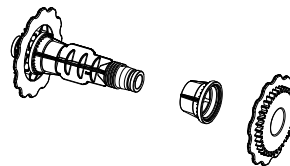
Si vous avez défini l'aquarium comme Hors Ligne, sélectionnez l'option "Mode Direct" (ou "Connecter Directement" sur IOS) en haut de l'écran pour passer la connexion au réseau. Le voyant lumineux continuera à clignoter car la ReefLED Wi-Fi reste en mode PA.

Suivez les instructions dans l'appli pour connecter le ReefMat à ReefBeat et au Cloud. Ensuite choisissez de quel côté du ReefMat (Gauche ou Droite) vous installez le bloc moteur. Il est préférable de revenir dans l'App et de confirmer que le rouleau de tissu a été installé après qu'il ait été effectivement installé pour éviter de déclencher une des notifications d'avertissement.

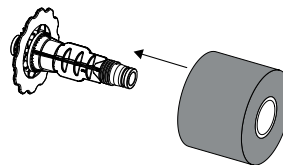
Mise en place d'un nouveau rouleau de tissu

Retirez l'emballage et assemblez le nouveau tissu sur l'axe de distribution comme ceci :

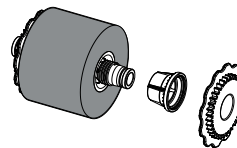
Démontez l'axe.



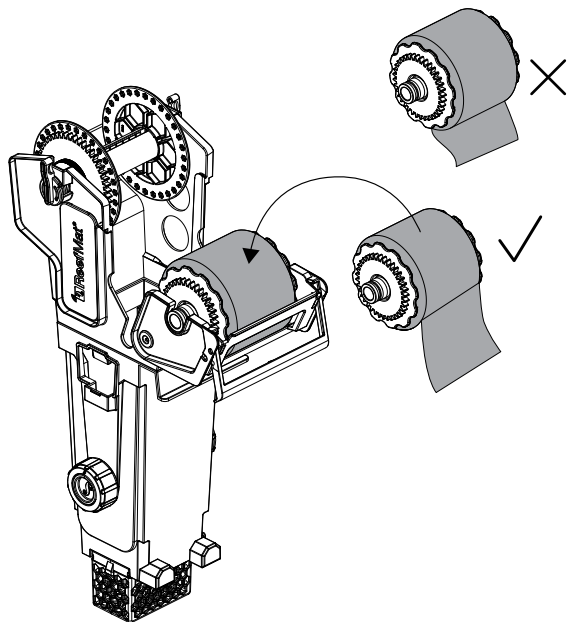
Insérez l'axe dans le tube en carton du nouveau rouleau.



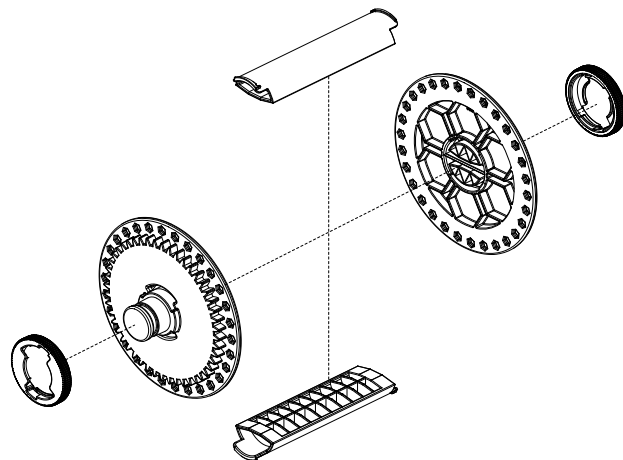
Insérez le mandrin sur l'axe et vissez fermement le plateau latéral.



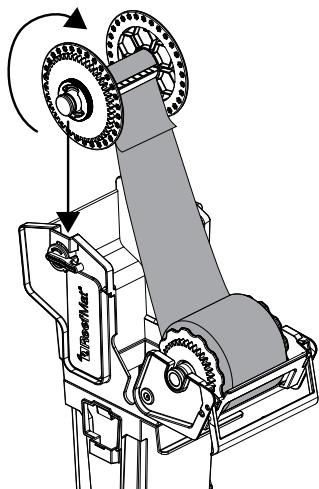
Ouvrez le rabat et placez l'axe de distribution dans les encoches du rabat, l'extrémité libre du tissu pendant à l'extérieur.



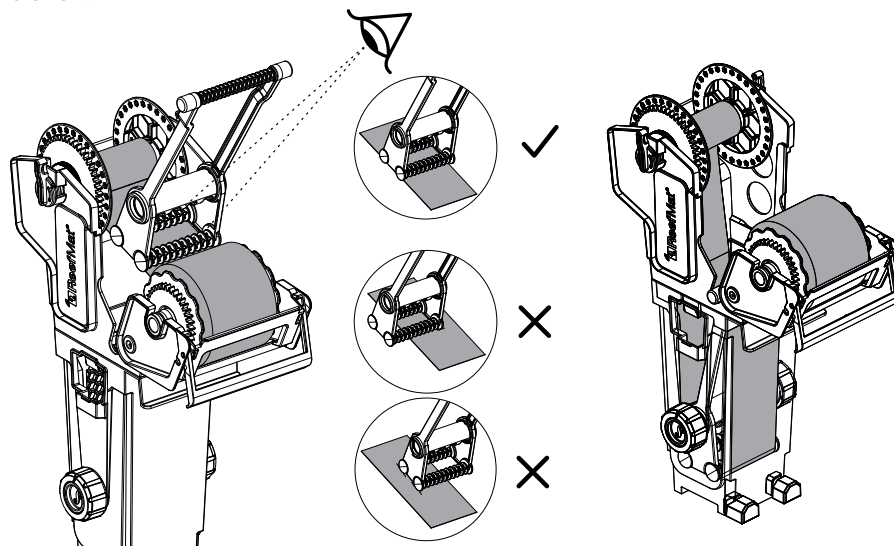
Note : Démontez et remontez l'axe d'enroulement pour vous familiariser avec la façon de faire. Cela vous facilitera la tâche lorsque vous devrez retirer le premier rouleau usagé.



Insérez le bord libre de tissu dans la fente de l'axe d'enroulement et tournez la partie supérieure quelques tours vers l'avant pour que le nouveau tissu vienne de l'arrière inférieur de l'axe. Cela fixera bien le tissu à son axe. Abaissez l'axe dans sa position de fonctionnement et tournez-le légèrement pour que les engrenages de l'axe s'engagent dans ceux du bloc moteur. Fermez les verrous latéraux pour bloquer l'axe en position.

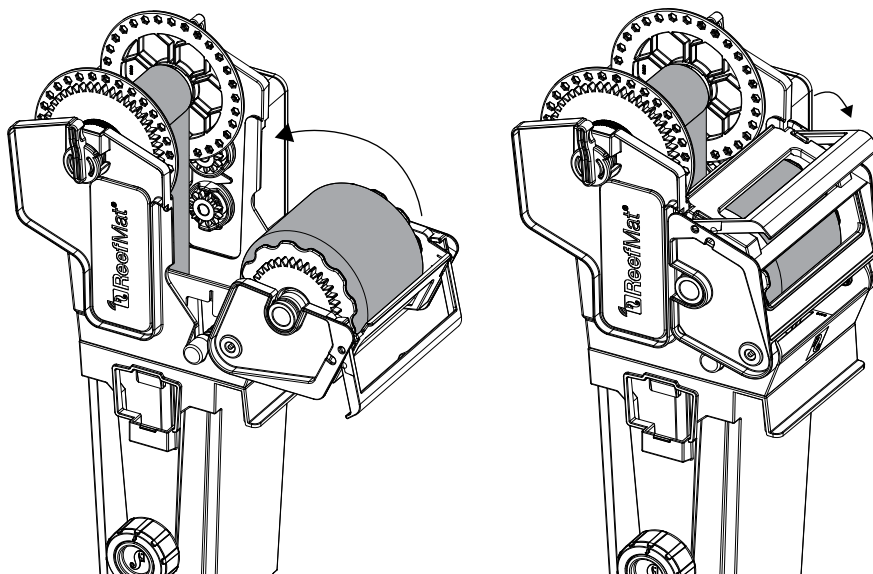


Vérifiez que les joints sont montés des deux côtés du tensionneur. Aligner les rouleaux de guidage avec les bords extérieurs du tissu. Descendez avec précaution le tensionneur à l'intérieur du compartiment jusqu'à ce qu'il soit fermement emboîté au fond et que la poignée du tensionneur se trouve dans son logement dans la tête. Le tissu se déroulera naturellement du nouveau rouleau pendant la mise en place du tensionneur, car l'enrouleur de tissu usagé ne peut pas tourner librement.



Remettez le rabat en position verticale et verrouillez-le en position en abaissant la poignée. Assurez-vous que le tissu est bien tendu en faisant tourner le nouveau rouleau. Il est

également possible d'appuyer sur le bouton Enroulage du bloc moteur pour enrouler le tissu lâche sur le rouleau de tissu usagé.



Mise en service d'un nouveau rouleau de tissu

- Ouvrez l'appli et allez dans "Installation d'un nouveau rouleau" à partir de la page des réglages, puis sélectionnez l'option "Rouleau complet". Ceci activera l'unité en mode de fonctionnement normal " Avance Automatique ". Si vous n'installez pas un rouleau complet, consultez les instructions " Rouleau Entamé " ci-dessous.
- Lors de l'installation d'un nouveau rouleau, tout le compartiment de filtration est tapissé d'un tissu propre et par conséquent, cela peut prendre un certain temps avant que le tissu initial ne soit suffisamment saturé pour qu'il soit enroulé. La page d'accueil de ReefBeat présentera la longueur initiale (38cm) dans la barre de progression d'utilisation incluse dans les compteurs "Aujourd'hui" et "Utilisation Totale".
- Si vous voulez être sûr d'avoir correctement installé le nouveau rouleau, utilisez l'option "Avance Manuelle" de la page des réglages pour dérouler le tissu par sections prédéfinies de 2 - 2,5 cm.

Fonctionnement

Avance Automatique

Le ReefMat est conçu pour faire avancer automatiquement le tissu d'une longueur prédéfinie chaque fois que le niveau d'eau à l'intérieur du filtre atteint le niveau du capteur d'eau interne. La fonction Avance Automatique peut être désactivée/activée si nécessaire à partir de : **Page d'accueil > Page de réglages > Avance Automatique**. Lorsqu'elle est activée, la fonction Avance Automatique est maintenue pour toute la longueur du rouleau, sauf si l'une des situations suivantes se produit. Dans ce cas, la notification appropriée sera envoyée sur l'application ReefBeat, le voyant d'état sur le bloc moteur clignotera et le ReefMat attendra votre intervention pour régler le problème.

S'il n'y a pas d'Avance Automatique pendant une période de 6 heures, l'unité d'entraînement effectue un autotest automatique d'environ 0,5cm qui permet de détecter si le tissu est bloqué.

Tissu Bloqué

Si le tissu ne peut pas avancer en raison d'un blocage mécanique (l'enrouleur de tissu usagé est bloqué ou tourne sans faire avancer le tissu) ou si le tissu se déchire, le bloc moteur cessera d'essayer de faire avancer le tissu et attendra votre intervention pour résoudre le problème. Le voyant d'état du bloc moteur clignotera. Une notification sera envoyée et la page d'accueil de l'appli ReefBeat affichera "Tissu bloqué".

Si le tissu est bloqué, il est très probable qu'un animal tel qu'un escargot se soit coincé entre le tissu et l'un des rouleaux du tensionneur. Pour résoudre le blocage, procédez comme suit :

- Appuyez sur le bouton Déroulage jusqu'à ce qu'environ 2,5 cm de tissu soient détendus du rouleau de tissu usagé.
- Faites tourner le rouleau de distribution à la main pour récupérer le tissu flottant. Cela peut permettre de déloger la cause du blocage sans avoir à retirer le tensionneur.
- Appuyez sur le bouton Enroulage jusqu'à ce que le tissu avance d'environ 5 cm. Si cela ne résout pas le blocage, effectuez les opérations suivantes :
 - Ouvrez le rabat avant et déplacez le rouleau distributeur de la tête vers le rabat.
 - Soulevez le tensionneur en l'écartant du tissu.
 - Nettoyez le tensionneur et assurez-vous que les rouleaux de guidage peuvent tourner librement.
 - Remettez le tensionneur sur le tissu, poussez-le au fond du compartiment de filtration et tournez-le pour le bloquer.
 - Remettez le rouleau de distribution dans la tête, fermez le rabat et appuyez sur le bouton Enroulage jusqu'à ce que le rouleau de distribution commence à tourner.

Si l'enrouleur de tissu usagé tourne toujours sans faire avancer le tissu ou si le tissu s'est déchiré, retirez le tissu usagé de l'enrouleur (coupez le tissu si nécessaire) et réinsérez-le. Note : Les compteurs d'utilisation fonctionneront normalement car ils ne sont pas impactés par le retrait du matériau du rouleau de l'enrouleur.

Une fois le problème résolu, redémarrez l'unité soit à partir de ReefBeat en appuyant sur le bouton "Relancer", soit directement à partir du bloc moteur en appuyant simultanément sur les boutons Enroulage/ Déroulage pendant 2 secondes.

Note : Si la notification du tissu bloqué apparaît le premier jour de l'installation du ReefMat sur ReefBeat, vérifiez que le réglage gauche/droite du bloc moteur est correct. Un mauvais réglage de la position du bloc moteur provoquera l'état "Tissu Bloqué" dès la première avancée du tapis. **Page d'accueil > Page de réglages > Plus de réglages > Position du bloc moteur**

Fin du rouleau

Lorsqu'un rouleau est terminé, le bloc moteur cesse d'essayer de faire avancer le tissu et attend que vous installiez un nouveau rouleau. Le voyant d'état du bloc moteur clignotera. Une notification sera envoyée et la page d'accueil de l'appli ReefBeat affichera "Fin de rouleau".

Une fois que le nouveau rouleau a été installé, ouvrez l'appli ReefBeat et sélectionnez "Installation d'un nouveau rouleau" à partir de la page des réglages. Si vous installez un rouleau partiellement utilisé au lieu d'un rouleau complet, consultez les instructions ci-dessous.

Pas de capteur de niveau

Si le capteur de niveau n'est pas raccordé au bloc moteur, le ReefMat ne peut pas fonctionner. Le voyant d'état du bloc moteur clignotera. Une notification sera envoyée et la page d'accueil de l'appli ReefBeat affichera "Pas de capteur".

Une fois le capteur raccordé, le bloc moteur reviendra automatiquement en mode "Avance Automatique".

Niveau d'eau élevé

Si le niveau d'eau dans la décantation atteint le niveau d'eau à l'intérieur du compartiment de filtration du ReefMat (par exemple, lorsque la pompe de remontée a été arrêtée), le bloc moteur cessera d'essayer de faire avancer le tissu jusqu'à ce que le niveau d'eau dans la décantation baisse (par exemple, lorsque la pompe de remontée aura redémarré). Tant que l'état "Niveau d'eau élevé" est actif, la LED de l'indicateur d'état clignote et le statut dans l'application ReefBeat est "Niveau d'eau élevé".

Erreur d'installation

Une erreur d'installation sera reçue après la première installation ou après l'installation d'un nouveau rouleau si l'une des situations suivantes s'est produite :

- Le paramétrage gauche/droite du bloc moteur dans l'appli ReefBeat n'est pas correct.
- Le tissu sur le rouleau de tissu usagé a été enroulé dans le mauvais sens.
- Le rouleau a été installé dans le mauvais sens sur l'axe de distribution.
- Le bord libre du nouveau rouleau n'a pas été fermement fixé à l'axe d'entraînement, et l'axe tourne maintenant sans faire avancer le tissu.

Après avoir résolu le problème, vous devez appuyer sur le bouton "Reprendre" dans l'application, ou appuyer simultanément sur les boutons Enroulage/Déroulage pendant 2 secondes pour que le ReefMat reprenne son fonctionnement normal.

Autres réglages

Avance Manuelle

Le tissu peut être avancé manuellement en appuyant sur le bouton Enroulage situé sur le côté du bloc moteur. La longueur du tissu enroulé dépendra de la durée de l'appui sur le bouton, mais la longueur réelle est enregistrée et apparaît dans le journal de distribution horaire.

Une Avance Manuelle de la même longueur que l'Avance Automatique prédéfinie peut être effectuée à tout moment en sélectionnant l'option Avance Manuelle dans la page des paramètres du ReefMat. (**Page d'accueil > Page des réglages > Avance Manuelle**) Ceci peut être utilisé comme un test pour confirmer le bon fonctionnement de l'unité.

Avance du tissu (longueur)

Le bloc moteur peut être configuré pour faire avancer automatiquement le tissu d'un minimum de 0,5 cm à 1,0 cm jusqu'à la longueur totale du compartiment de filtration.

Le pré-réglage par défaut est de 2,0 - 2,5 cm. Il est recommandé de laisser ce réglage par défaut pendant les premiers jours de fonctionnement, jusqu'à ce que l'utilisation quotidienne moyenne permette de définir une valeur. Une fois la moyenne quotidienne déterminée, la longueur d'avancée du tissu peut être personnalisée pour obtenir la fréquence d'avancées souhaitée.

Pour personnaliser la longueur de l'avancée du tissu : **Page d'accueil > Réglages > Autres réglages > Avancée du tissu**. N'oubliez pas de cliquer sur le bouton "Enregistrer" pour appliquer vos modifications.

Avance Programmée

La fonction Avance Programmée vous permet de prédéfinir la longueur d'avancée du tissu à une heure donnée chaque jour. Par exemple, si l'utilisation quotidienne moyenne est de 36 cm et que vous définissez une Avance Programmée de 12 cm, vous pouvez en déduire que le ReefMat n'aura pas besoin d'avancer à nouveau le tissu avant environ 8 heures (24h/3=8h, 36cm/3=12cm). Ceci est utile si vous voulez garantir une période spécifique sans aucun bruit, par exemple pendant la nuit pour un aquarium situé dans une chambre. Cette fonction n'est disponible qu'une fois la moyenne journalière établie. Pour activer l'Avance Programmée : **Page d'accueil > Page des réglages > Plus de réglages > Avance Programmée**. N'oubliez pas de cliquer sur le bouton "Enregistrer" pour appliquer vos modifications.

Contrôle de fin de rouleau

Le contrôle de fin de rouleau vous permet d'être averti avant que le rouleau ne soit épuisé, sur la base de la consommation moyenne quotidienne. La valeur par défaut est fixée à 5 jours. Vous pouvez modifier cette valeur à partir de : **Page d'accueil > Page des réglages > Autres réglages > Contrôle de fin de rouleau**. N'oubliez pas d'appuyer sur le bouton "Enregistrer" pour appliquer vos modifications.

Modification du modèle de ReefMat et de la position du bloc moteur

Si lors de la configuration initiale du ReefMat et/ou de l'installation du tissu, vous avez sélectionné le mauvais modèle/tissu, vous pouvez modifier ces paramètres à partir de la **Page d'accueil > Réglages > Autres réglages > Position du bloc moteur ou Modifier le modèle**. N'oubliez pas d'appuyer sur le bouton "Enregistrer" pour appliquer vos modifications.

Journal du ReefMat

Effacer les réglages

Pour effacer définitivement tous les réglages utilisateur de la mémoire du ReefMat et le ramener aux paramètres d'usine, faites comme suit :

Si l'équipement est connecté à ReefBeat, lancez l'option réinitialisation à partir du gestionnaire d'équipements : *Gestionnaire d'équipements > Réinitialisation*.

Si l'équipement n'est pas connecté à ReefBeat, appuyez sur le bouton de Réglages pendant environ 15 secondes (jusqu'à ce que le voyant lumineux du Wi-Fi clignote deux fois très rapidement), relâchez le bouton et attendez environ 1 minute pour que l'équipement redémarre.

L'équipement redémarre sans aucun paramètre utilisateur avec le Wi-Fi activé, exactement comme en quittant l'usine. L'équipement conservera la dernière version installée du firmware.

Le ReefMat fournit un journal quotidien et horaire d'utilisation du tissu pour les 30 derniers jours (7 jours pour les aquariums hors ligne). Le journal du rouleau complet peut être exporté sous forme de fichier .csv.

En outre, ReefBeat conserve un historique des rouleaux indiquant le nombre de jours d'utilisation des rouleaux précédents.

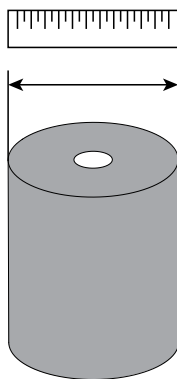
FR

Rouleau Entamé

Si vous avez retiré un rouleau de tissu déjà partiellement utilisé et que vous souhaitez l'utiliser ultérieurement, vous devez sélectionner l'option Rouleau Entamé lorsque vous l'installez en tant que nouveau rouleau.

Pour profiter de toutes les fonctionnalités, il est conseillé de mesurer le diamètre extérieur du rouleau avant de l'installer sur l'axe de distribution et de saisir cette valeur dans l'application ReefBeat.

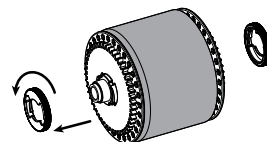
À titre indicatif, le diamètre du disque latéral est de 98 mm.



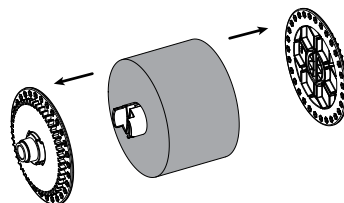
Si vous choisissez de ne pas entrer le diamètre, le ReefMat continuera à filtrer correctement l'aquarium, mais le système ne pourra pas contrôler l'utilisation exacte et la notification de fin de rouleau sera désactivée.

Retirer le tissu usagé de l'enrouleur

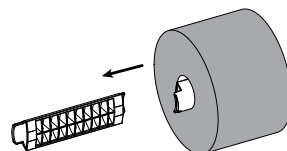
Retirez les écrous de fixation en les faisant tourner dans le sens inverse des aiguilles d'une montre.



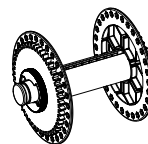
Retirez les disques latéraux en poussant les 2 moitiés de l'axe à travers le disque.



Faites glisser les deux moitiés de l'axe hors du tissu usagé, une par une.



Remontez l'axe d'enroulement pour la prochaine utilisation.



Maintenance de l'équipement

Bloc moteur

Pour assurer le bon fonctionnement du bloc moteur, nous vous recommandons de veiller à ce qu'il soit régulièrement nettoyé, sec et sans dépôts de sel.

L'unité n'est pas étanche. Ne pas l'immerger dans l'eau ou dans d'autres liquides.

Ne pas ouvrir, il n'y a aucune pièce réparable par l'utilisateur à l'intérieur du bloc moteur.

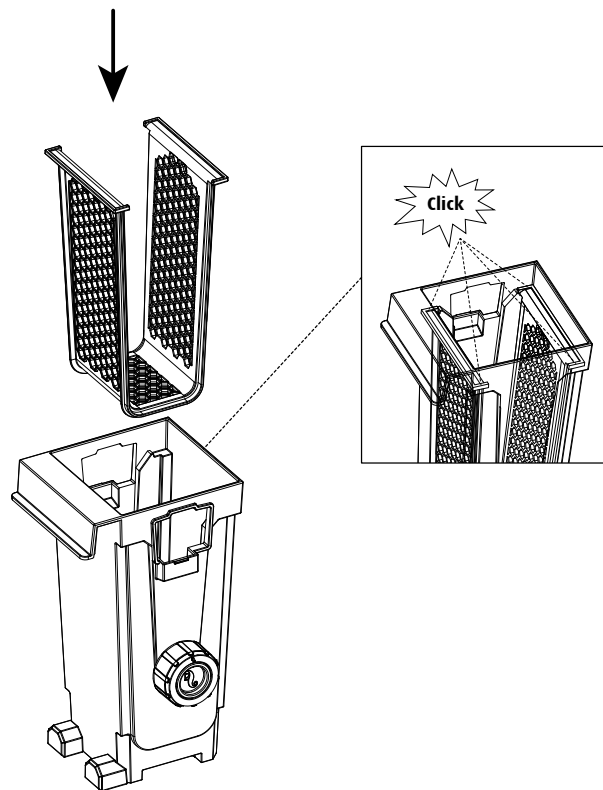
Capteur de niveau d'eau

Nous recommandons de veiller à ce que la sonde soit régulièrement débarrassée de tout dépôt d'algues ou de sel. Le capteur est étanche et peut être lavé à l'eau courante en toute sécurité. Les extrémités en titane peuvent être brossées pour éliminer tout dépôt solide.

Éléments du compartiment de filtration

Il est recommandé de rincer le tensionneur du tissu et les grilles de filtration chaque fois que l'on remplace le tissu pour éviter l'accumulation de bactéries, d'algues ou de faune marine qui pourraient provoquer des obstructions ou des déchirures.

Note: après avoir assemblé la grille, fixez-la en poussant les bords supérieurs contre le corps.



Dépannage

Une FAQ à jour complète pour le ReefMat et l'appli ReefBeat est disponible dans l'application (*Menu principal de la page d'accueil > Aide > FAQ*) et sur notre site web.

- Q.** J'ai des difficultés à installer l'appli ReefBeat, elle se bloque ou ne semble pas fonctionner comme décrit dans le manuel.
- R.** Vérifiez que votre smartphone figure sur la liste des appareils compatibles sur notre site Web.
- Q.** Mon smartphone figure dans la liste des appareils compatibles, mais il ne cesse de se bloquer.
- R.** Désinstallez et réinstallez l'appli et reconnectez-vous avec votre nom d'utilisateur et votre mot de passe. Si ça ne marche toujours pas, contactez l'assistance technique.
- Q.** J'ai des difficultés à connecter le ReefMat à mon réseau domestique.
- R.** Vérifiez que le Wi-Fi du ReefMat fonctionne correctement en utilisant l'option " Mode direct Hors ligne ". Si c'est le cas, essayez de vous connecter au point d'accès d'un mobile dans la même pièce : *Gestionnaire de périphériques > menu du périphériques > À propos > Connecter*.
Si aucune de ces options ne fonctionne, contactez l'assistance technique. Si elles fonctionnent, le problème est probablement lié à la puissance du signal du routeur ou à sa configuration, ou encore à une surcharge de périphériques.

- Vérifiez que la puissance du signal de votre routeur est suffisante pour une connexion stable à l'endroit exact où se trouve le ReefMat. Vous devrez peut-être installer un amplificateur Wi-Fi adapté plus près de l'aquarium.
 - Le routeur a peut-être déjà trop d'appareils connectés.
 - Votre routeur est peut-être configuré pour ne pas permettre la connexion d'appareils comme le ReefMat. Cette situation est courante dans un environnement de bureau, contactez votre responsable informatique.
- Q.** Je continue à recevoir des notifications indiquant que mon ReefMat n'est pas connecté.
- R.** Si votre routeur n'est pas connecté en permanence à Internet, réglez votre Aquarium comme " Hors ligne " *Aquariums > Menu de l'aquarium > Hors ligne*. Si votre routeur est censé être connecté en permanence, vérifiez la qualité de la connexion Wi-Fi entre le ReefMat et votre routeur ou la stabilité de votre connexion Internet.
- Q.** Je viens de configurer le ReefMat pour la première fois ou de le relier à l'appli ReefBeat et les boutons Enroulage/Déroulage semblent fonctionner dans la direction opposée.
- R.** Vérifiez que le réglage Gauche/Droite du bloc moteur est correct. Si le réglage est incorrect, l'axe d'enroulement tournera dans le sens inverse. S'il n'est pas corrigé, la première Avance Manuelle ou Automatique empêchera le bloc moteur de fonctionner et vous recevrez la notification " Tissu bloqué ". Pour vérifier/réinitialiser la position du bloc moteur : *Page d'accueil > Réglages > Plus de réglages > Position du bloc moteur*.

Q. L'eau s'écoule par le haut du compartiment de filtration et le tissu n'avance pas.

R. Veuillez vérifier les points suivants :

- Le capteur du ReefMat est correctement installé dans sa position de fonctionnement sur le compartiment de filtration.
- Les sensors en titane sur la partie inférieure du capteur ReefMat sont propres et ne sont pas obstrués par des dépôts organiques ou minéraux.
- La fonction Avance Automatique de la page des réglages de l'appli ReefBeat a été activée et vous avez cliqué sur le bouton d'enregistrement en haut de la page.
- Vous avez un aquarium d'eau salée. Le capteur ReefMat ne détectera pas l'eau douce ou l'eau saumâtre à faible salinité.

Q. Le niveau d'eau à l'intérieur du compartiment de filtration ne semble pas monter et le tissu n'avance pas.

R. S'il s'agit d'un ReefMat récemment installé, il peut s'écouler environ une journée avant que le tissu initial qui tapisse le compartiment de filtration ne soit suffisamment encrassé pour provoquer une avancée du tissu. Dans un système établi, vérifiez que le réglage de la longueur de l'avance du tissu est d'une longueur suffisante pour provoquer des avancées régulières du tissu dans le laps de temps que vous souhaitez. Vérifiez également qu'une Longueur d'Avance Programmée ne soit pas cours d'exécution. Si tous les réglages sont corrects, vérifiez si l'un des problèmes suivants ne fait pas que l'eau contourne complètement ou partiellement le tissu :

- Le tuyau d'entrée n'est pas fermement connecté à la prise d'entrée ou le joint en silicone est absent.
- Le bouchon ne ferme pas correctement la prise d'entrée non utilisée.
- Le tensionneur de tissu n'est pas correctement installé dans le compartiment de filtration.
- Le tissu à l'intérieur du compartiment de filtration a été perforé ou a vrillé.

Garantie

Garantie limitée Red Sea.

La garantie limitée énonce toutes les responsabilités de **Red Sea Aquatics Ltd (Red Sea)** concernant ce produit. Il n'y a aucune autre garantie expresse ou implicite de Red Sea.

Red Sea garantit 24 mois votre produit, pièces et main d'œuvre, à partir de la première date d'achat et le réparera gratuitement (à l'exception des frais de port) ou le remplacera par un échange standard. Les dommages causés au tube de dosage interne ne sont pas inclus car il s'agit d'une pièce d'usure. La condition préalable à la garantie est le respect de la procédure d'installation indiquée. Au cas où un problème surviendrait avec ce produit pendant ou après la période de garantie, contactez votre revendeur local ou Red Sea (à l'adresse de la société indiquée) pour obtenir les coordonnées de l'assistance technique.

La garantie assurée par Red Sea est limitée à l'acheteur original. Une preuve de la date d'achat sera exigée avant que la garantie ne soit appliquée. Cette garantie ne couvre que les défaillances dues à des défauts de matériaux ou de fabrication survenant lors d'une utilisation normale. Elle ne couvre pas les dommages survenus pendant l'expédition ou les défaillances résultant d'une mauvaise utilisation, d'un abus, d'une négligence, d'une installation incorrecte, d'un mauvais fonctionnement, d'une mauvaise manipulation, d'une mauvaise application, d'une altération, d'une modification ou d'un service effectué par toute personne autre qu'un centre de service agréé Red Sea. Red Sea ne sera pas responsable des dommages accidentels ou consécutifs résultant de l'utilisation de ce produit, ou découlant de toute violation de cette garantie. Toutes les garanties expresses et implicites, y compris les garanties de vendabilité et d'aptitude à un usage particulier, sont limitées à la période de garantie applicable indiquée ci-dessus.

Ces déclarations n'affectent pas les droits légaux du consommateur.

USA

Certains États n'autorisent pas l'exclusion ou la limitation des dommages accessoires ou indirects, ni la limitation de la durée d'une garantie implicite, de sorte que les exclusions ou limitations ci-dessus peuvent ne pas s'appliquer.

Déclaration de conformité FCC :

Cet appareil est conforme à la partie 15 des règles de la FCC. L'opération est sujette aux deux conditions suivantes, (1) Ce dispositif ne peut pas causer d'interférences nuisibles, et (2) ce dispositif doit accepter toute interférence reçue, y compris les interférences qui peuvent causer un fonctionnement indésirable. Tout changement ou modification non expressément approuvé par Red Sea pourrait annuler l'autorité de l'utilisateur à faire fonctionner le module HF et/ou le produit qui incorpore le module HF. L'utilisateur est averti de maintenir une distance de 20 cm du produit pour assurer la conformité avec les règlements de la FCC.

Déclaration de conformité CE :

L'équipement est conforme à la norme d'exposition aux Radiofréquences 2014/53/UE, et à la recommandation du Conseil sur la limitation de l'exposition du grand public aux champs électromagnétiques (0-300 GHz). Cet équipement répond aux normes de conformité suivantes : EN 300 328, EN 301 489-17.



RECYCLAGE : Ne pas jeter ce produit comme un déchet non trié. La collecte de ces déchets séparément pour un traitement spécial est nécessaire.

Ce produit ne doit pas être jeté avec les déchets domestiques. Ce produit doit être éliminé dans un lieu autorisé pour le recyclage des appareils électriques et électroniques.

En collectant et en recyclant les déchets, vous contribuez à préserver les ressources naturelles et vous vous assurez que le produit est éliminé d'une manière écologique et saine.

Red Sea Aquatics (GZ) Ltd.

Block 2-4, No.168, West Yingbin Road,
Xinhua Industrial Park,
Huadu District, Guangzhou City,
China, Postal code 510812.

ReefMat[®] Fleece-Roll

Efficient, high-flow, skimmer friendly, non-woven polyester fleece-mat rolls



Red Sea U.S.A

4687 World Houston Parkway
#200 Houston,
TX 77032, U.S.A
support.usa@redseafish.com

Red Sea Europe

655 Rue des Frères
Lumière 27130 Vermeuil
d'Avre et d'Iton, France
support.fr@redseafish.com

UK & Ireland

Red Sea Aquatics (UK) Ltd
PO Box 1237
Cheddar, BS279AG
uk.info@redseafish.com

Germany & Austria

Red Sea Deutschland
Büro Deutschland
Prinzenallee 7 (Prinzenpark)
40549 Düsseldorf
support.de@redseafish.com

China

Red Sea Aquatics (GZ) Ltd
Block 2-4, No.168, West Yingbin
Road, Xinhua Industrial Park,
Huadu District, Guangzhou City,
China, Postal code 510812.
Tel: +86-020-6625 3828
info.china@redseafish.com

株式会社エムエムシー企画レッ
ドシー事業部
〒174-0063
東京都板橋区前野町6-29-4
info@mcmplanning.com